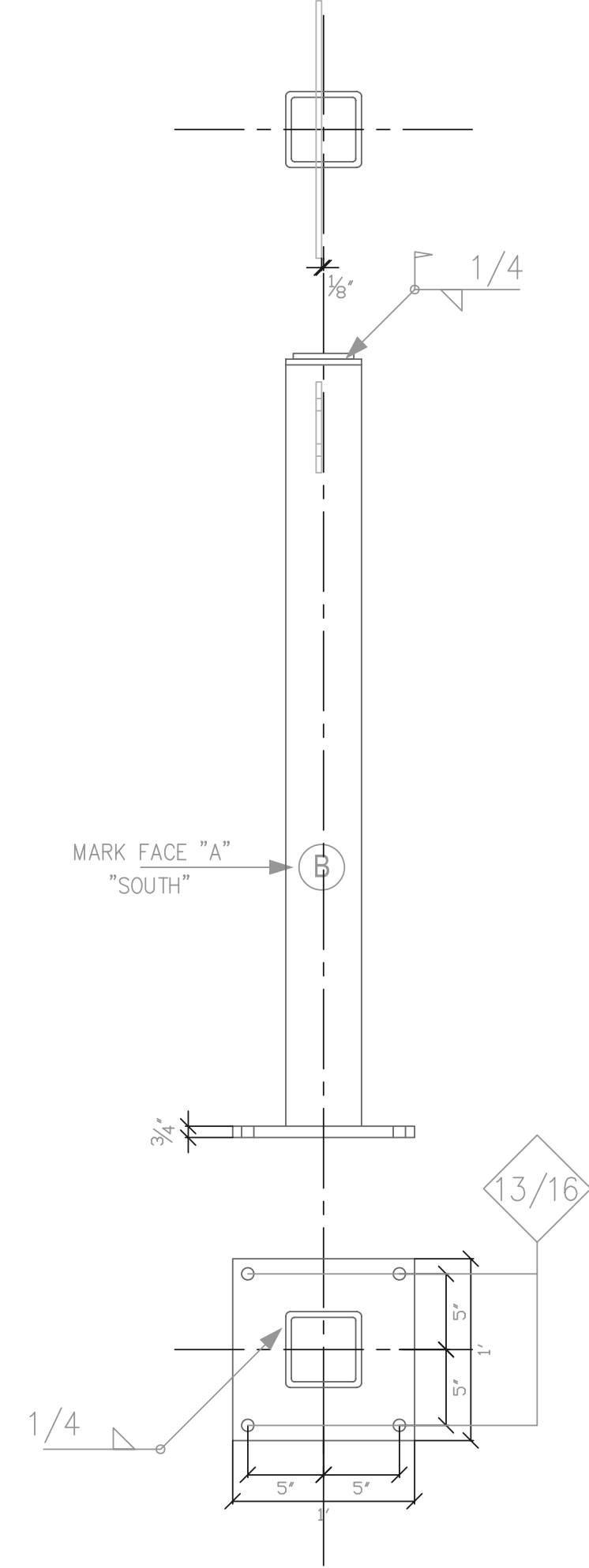
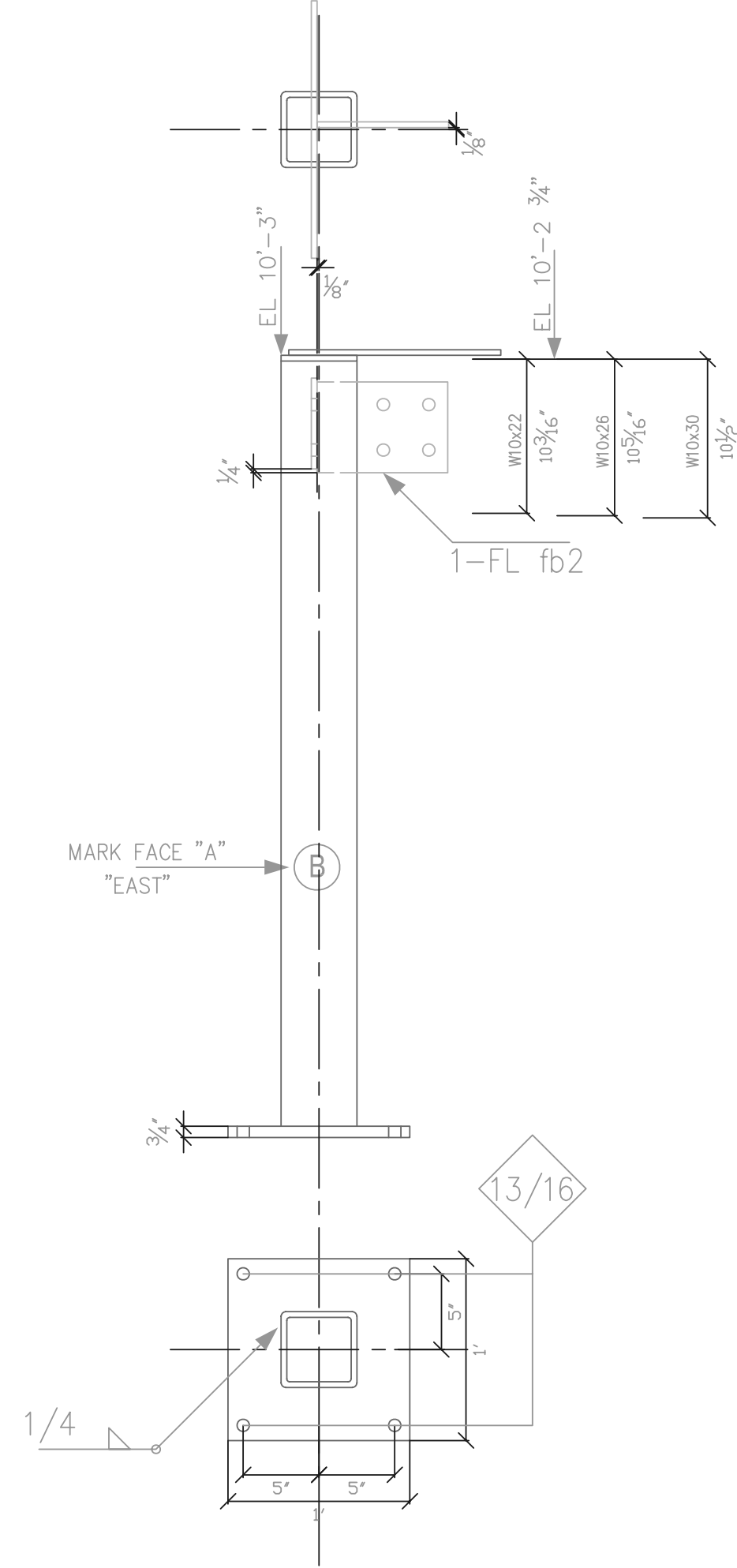
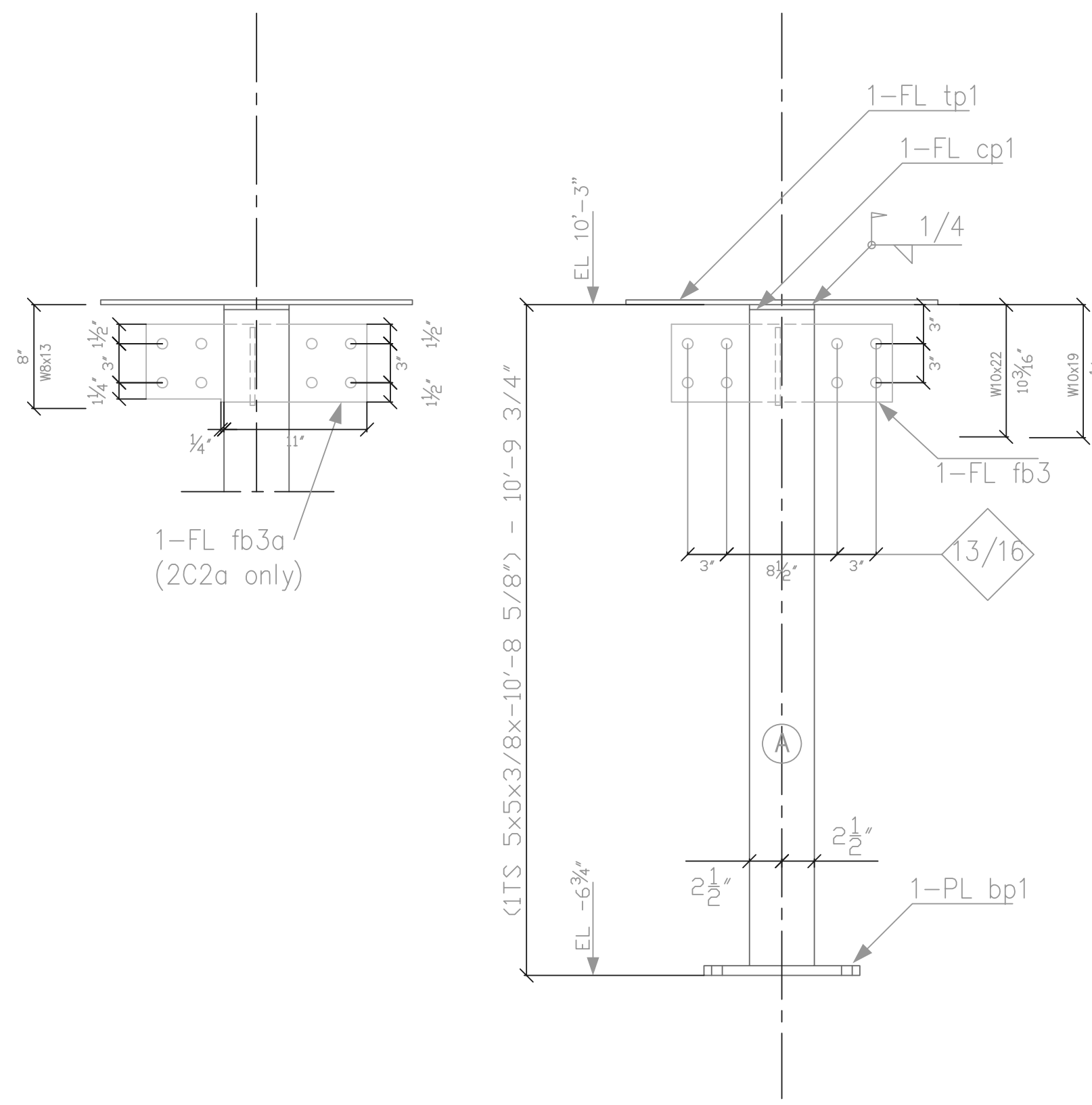


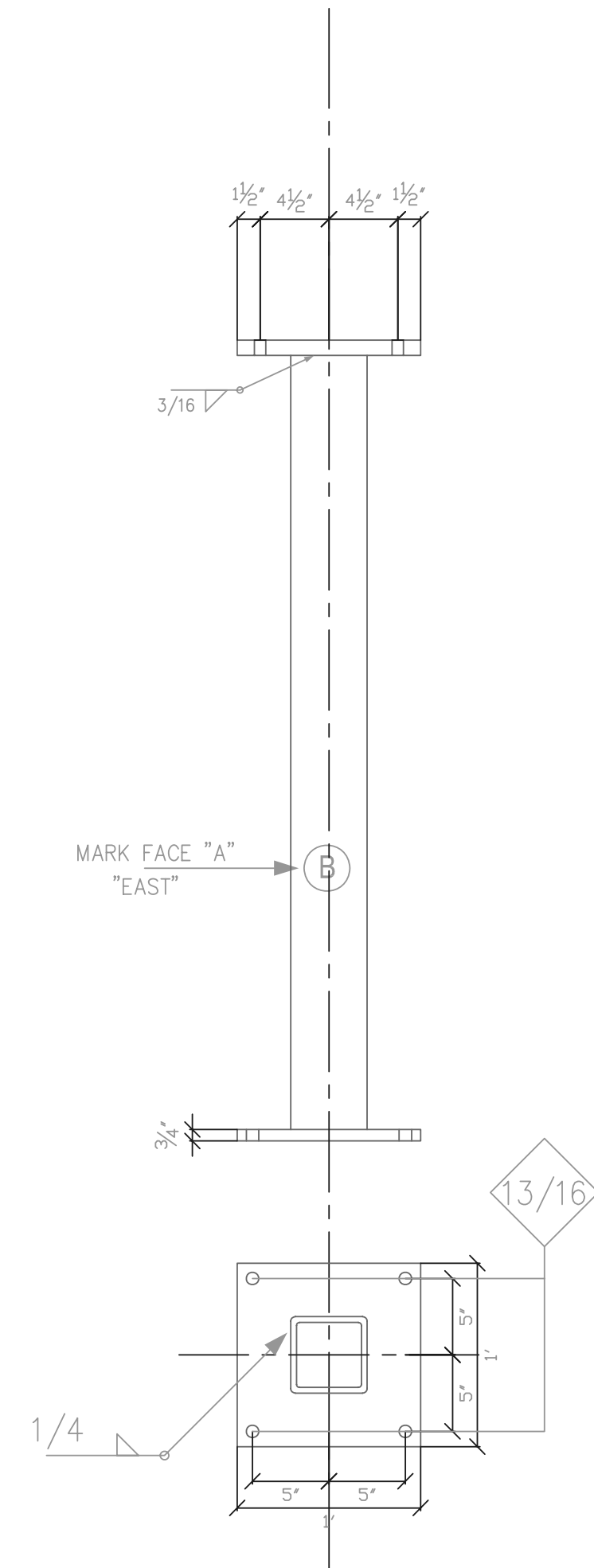
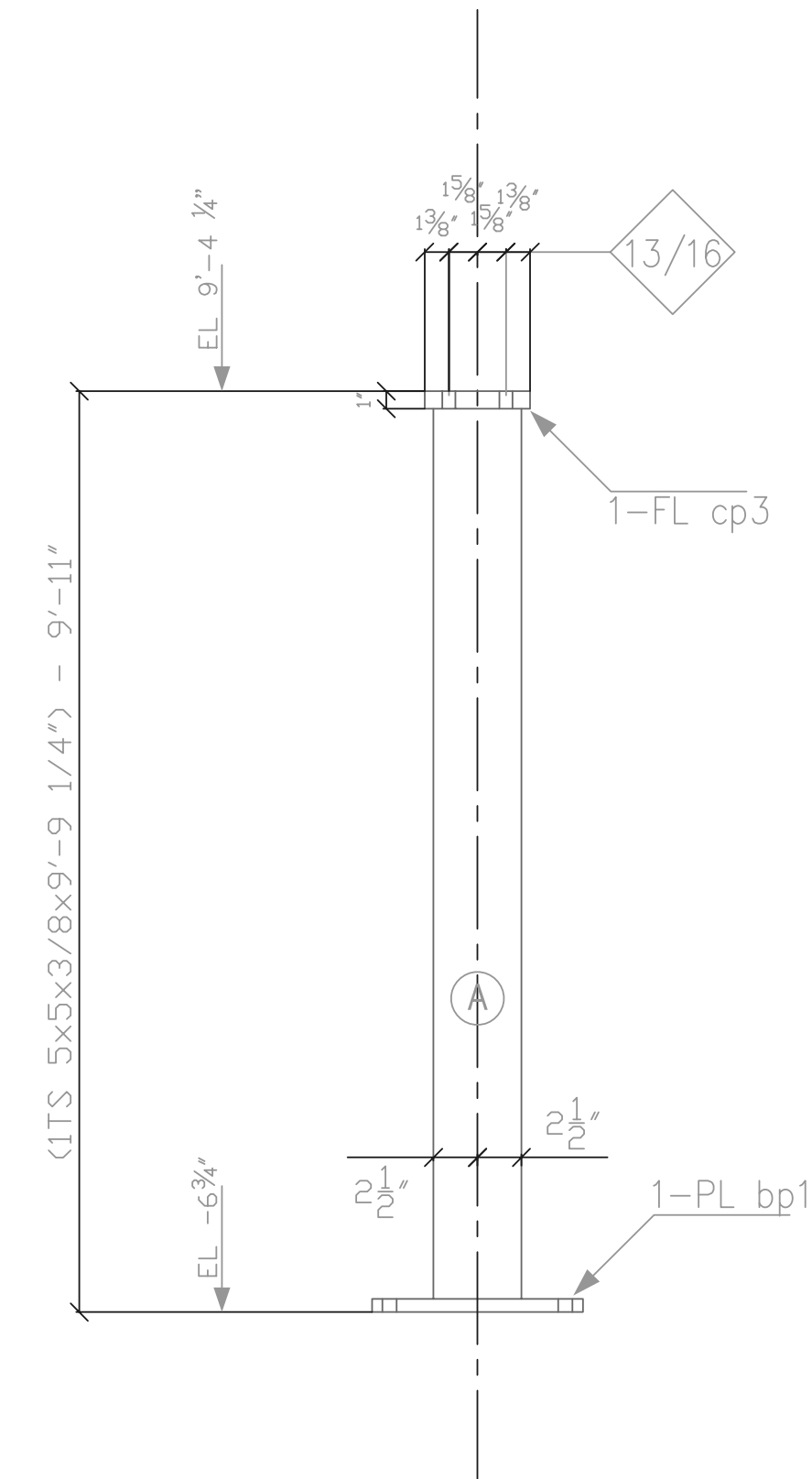
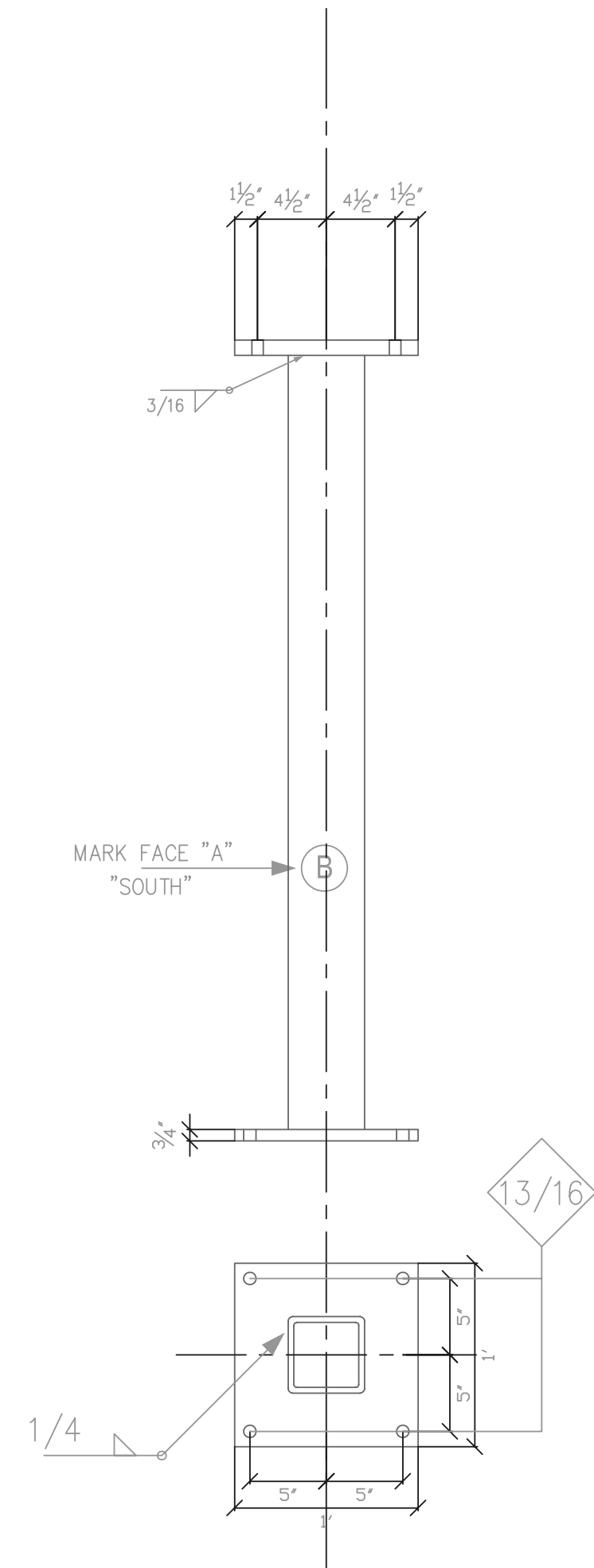
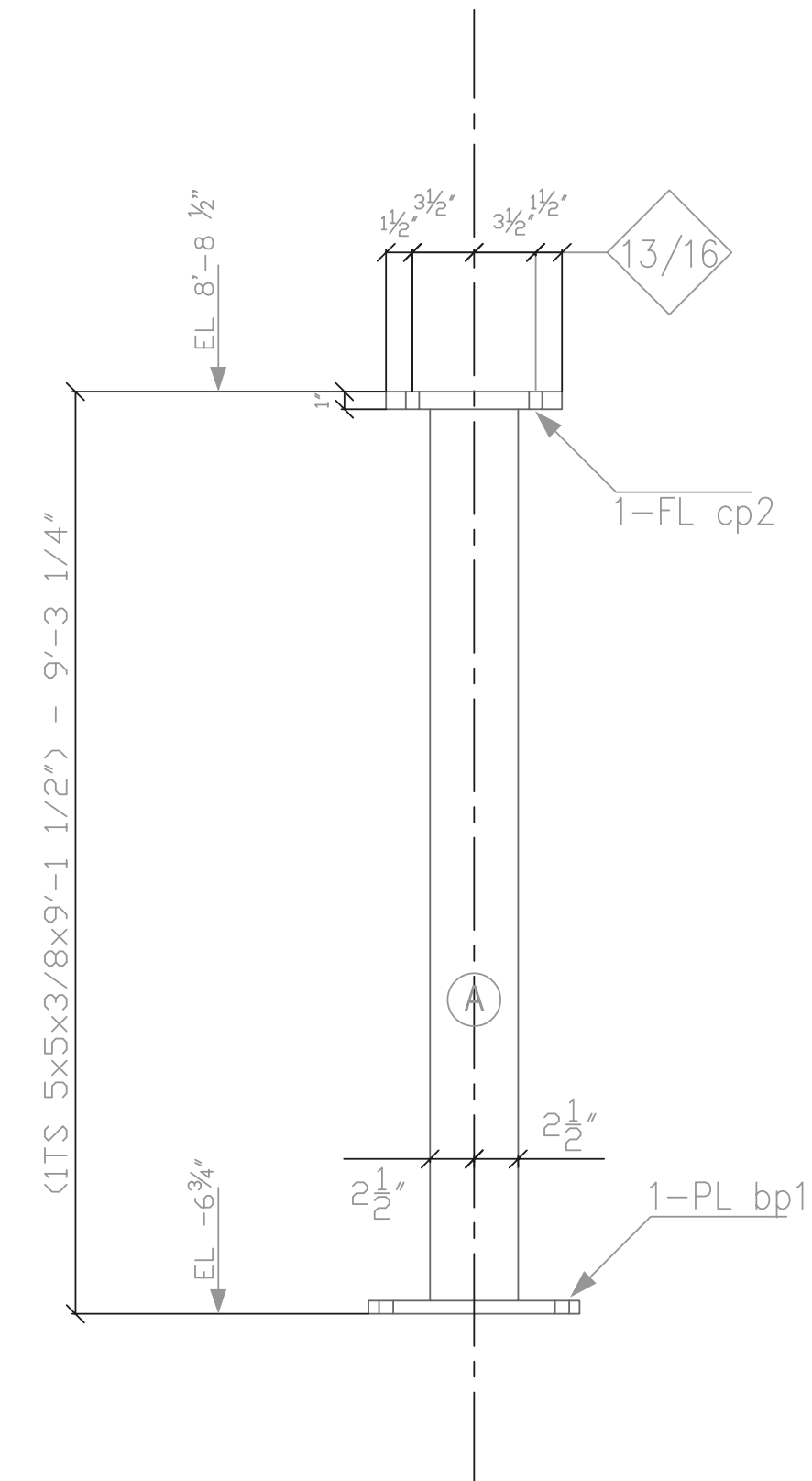
3 COLUMN 2C1a
15 COLUMN 2C1



2 COLUMN 2C2a
3 COLUMN 2C2



ONE COLUMN 2C3



QTY	MARK	DESCRIPTION	LENGTH	GR.	REMARK
15	COLUMN				
15	2C1	TS 5 x5 x3/8	10	8 3/8	
15	fb3	FL 3/8 x6	1	5	
15	cp1	FL 3/8 x5	1	5	
15	tp1	FL 3/8 x4	2		
15	bp1	PL 3/4 x12	1		
3	COLUMN				
3	2C1a	TS 5 x5 x3/8	10	7 3/8	
3	fb3	FL 3/8 x6	1	5	
3	cp1	FL 3/8 x5	1	5	
3	tp1	FL 3/8 x4	2		
3	bp1	PL 3/4 x12	1		
3	COLUMN				
3	2C2	TS 5 x5 x3/8	10	8 5/8	
3	fb3	FL 3/8 x6	1	5	
3	fb2	FL 3/8 x6	8 11/16		
3	cp1	FL 3/8 x5	1	5	
3	tp3	PL 3/8 x4	2	24x14	T SHAPED
3	bp1	PL 3/4 x12	1		
2	COLUMN				
2	2C2a	TS 5 x5 x3/8	10	8 5/8	
2	fb3a	FL 3/8 x6	1	5	CUT
2	fb2	FL 3/8 x6	8 11/16		
2	cp1	FL 3/8 x5	1	5	
2	tp3	PL 3/8 x4	2	24x14	T SHAPED
2	bp1	PL 3/4 x12	1		
1	COLUMN				
1	2C3	TS 5 x5 x3/8	9	1 1/2	
1	cp2	FL 1 x10	1		
1	bp1	PL 3/4 x12	1		
6	COLUMN				
6	2C4	TS 5 x5 x3/8	9	9 1/4	
6	cp3	FL 1 x6	1		
6	bp1	PL 3/4 x12	1		

UNITY USA Inc.
Tel: (703) 286-7954
www.unity1.net - info@unity1.net
4006 Quiet Creek Drive, Fairfax, VA 22033

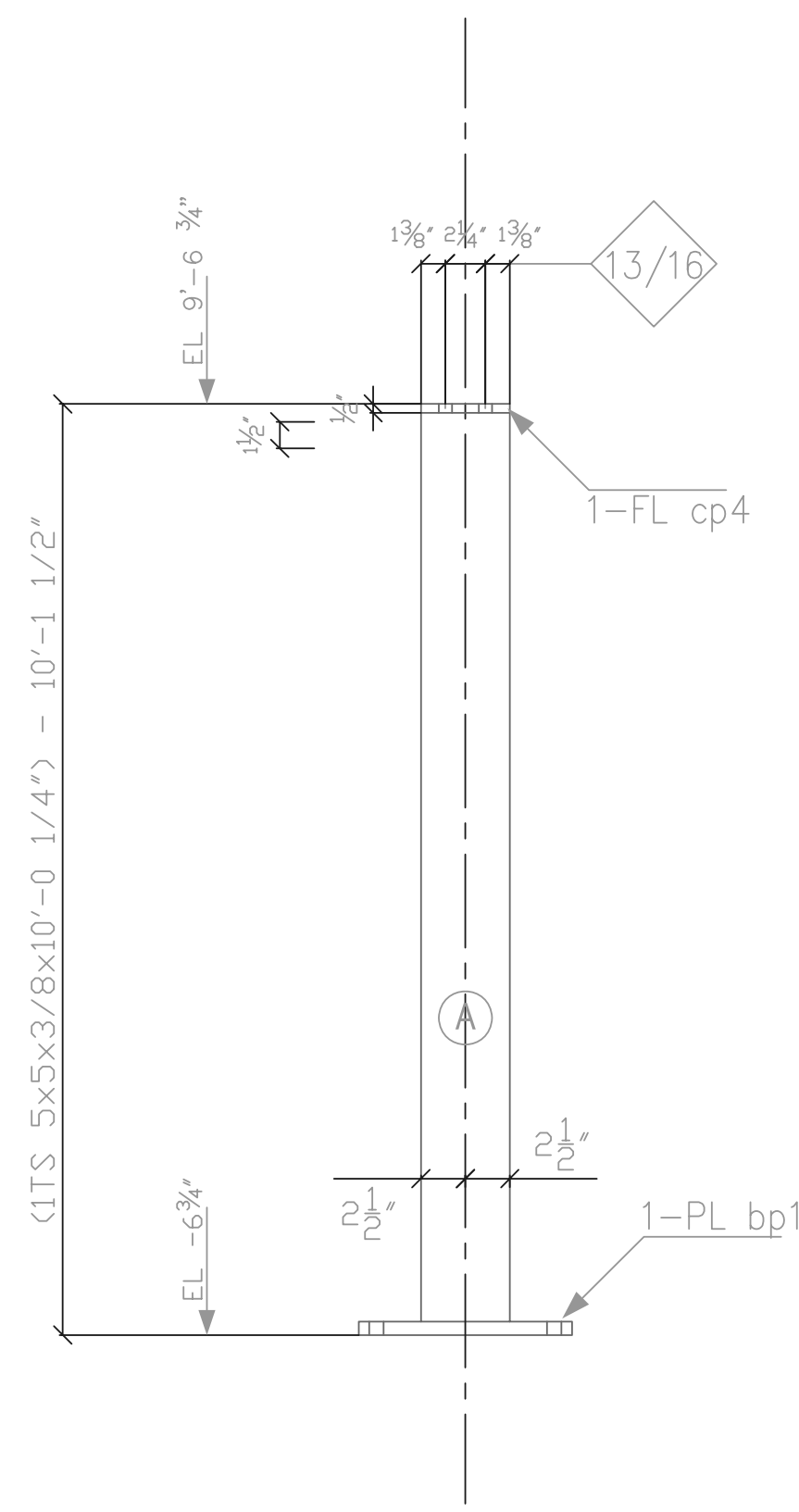
Constellation Energy Group

PROJECT ARCHITECT : PEOPLE ARCHITECTURE - CSD
PROJECT ENGINEER :

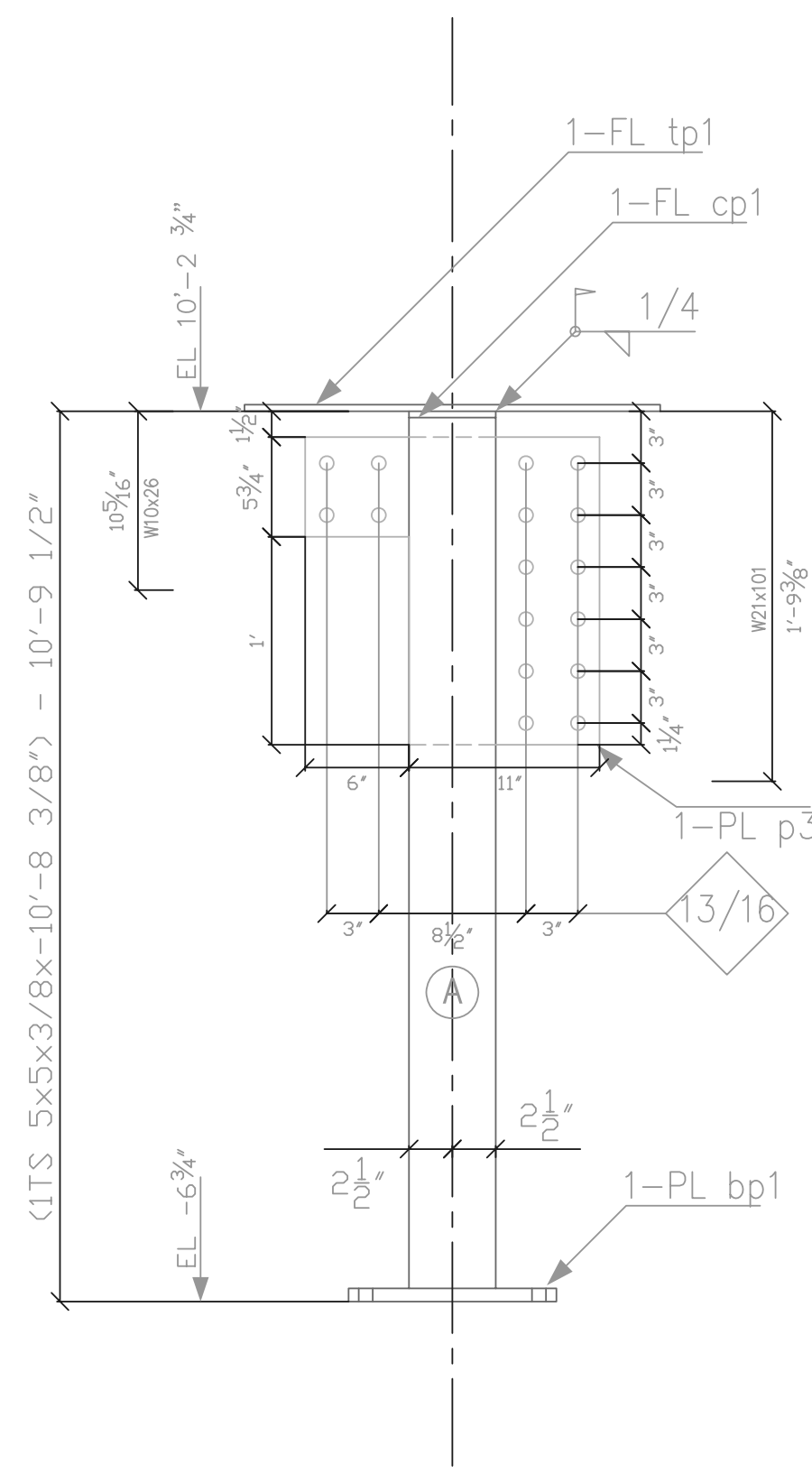
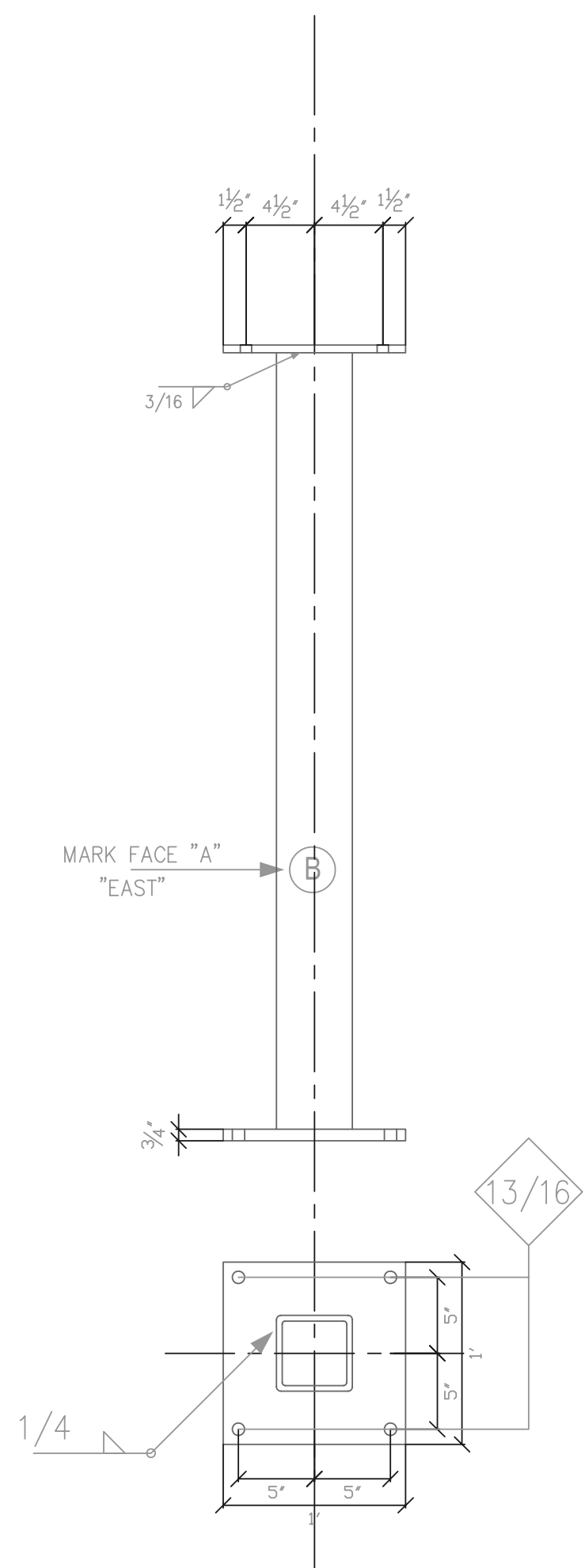
DATE: 05-09-05
JOB NO: OMF-00205
DRAWN BY: J.C.
CHECKED BY:

DO NOT SCALE DRAWINGS

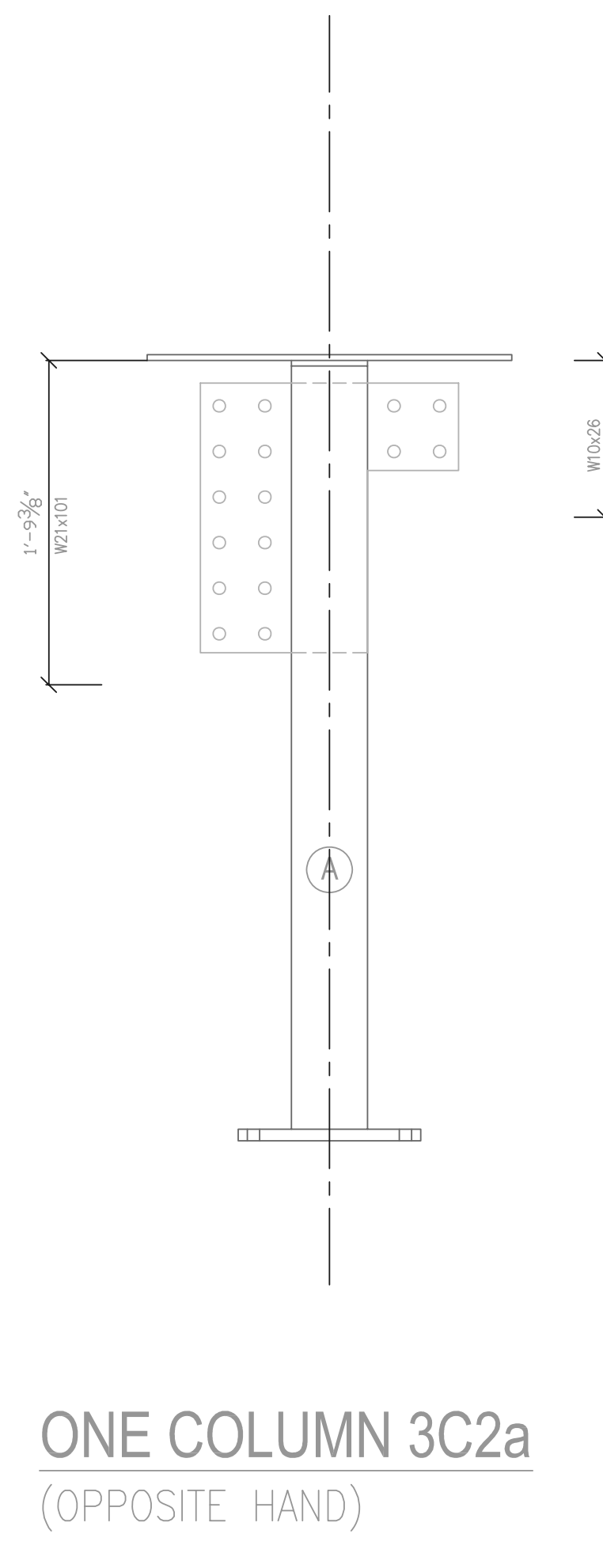
SHEET NO.
M2



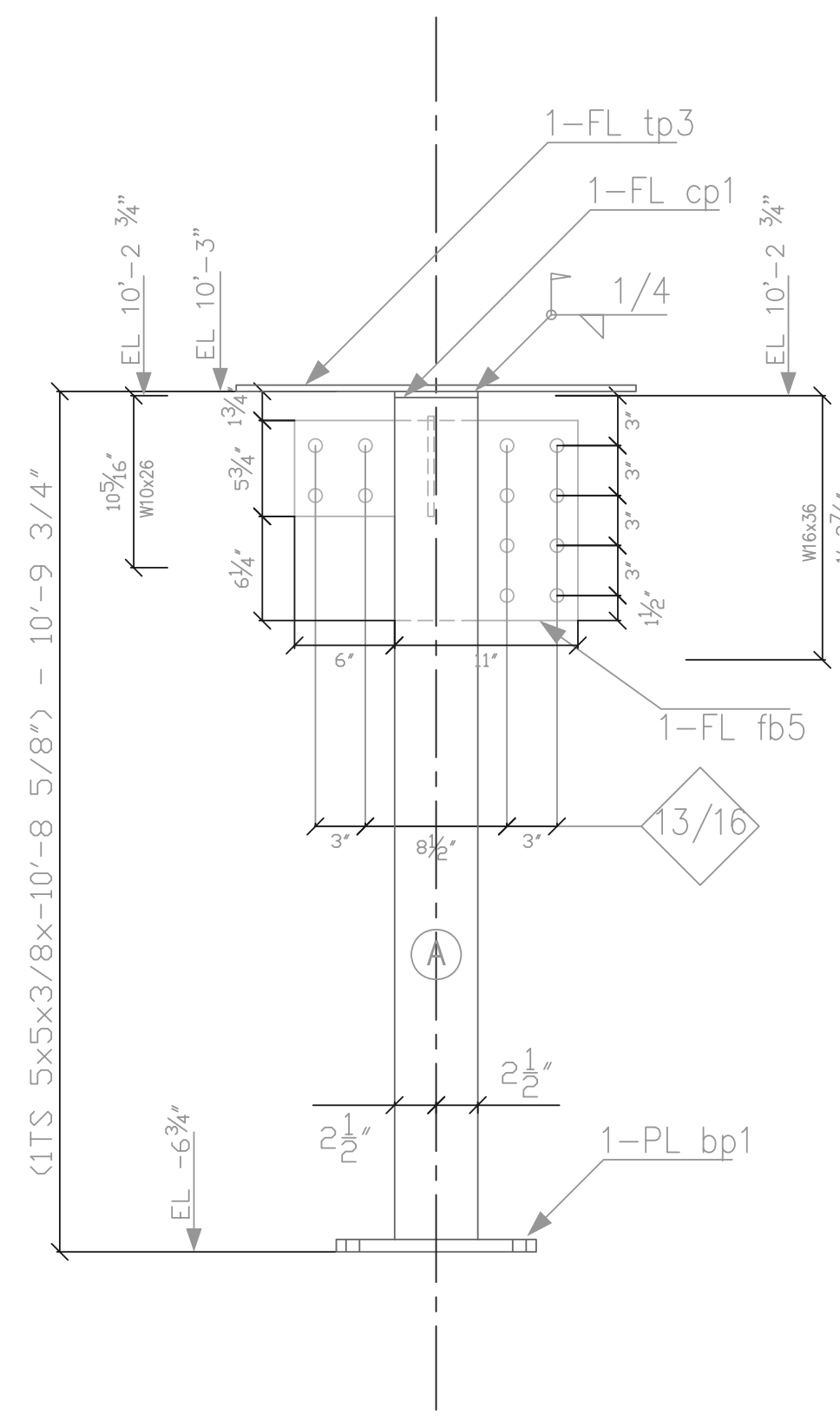
ONE COLUMN 3C1



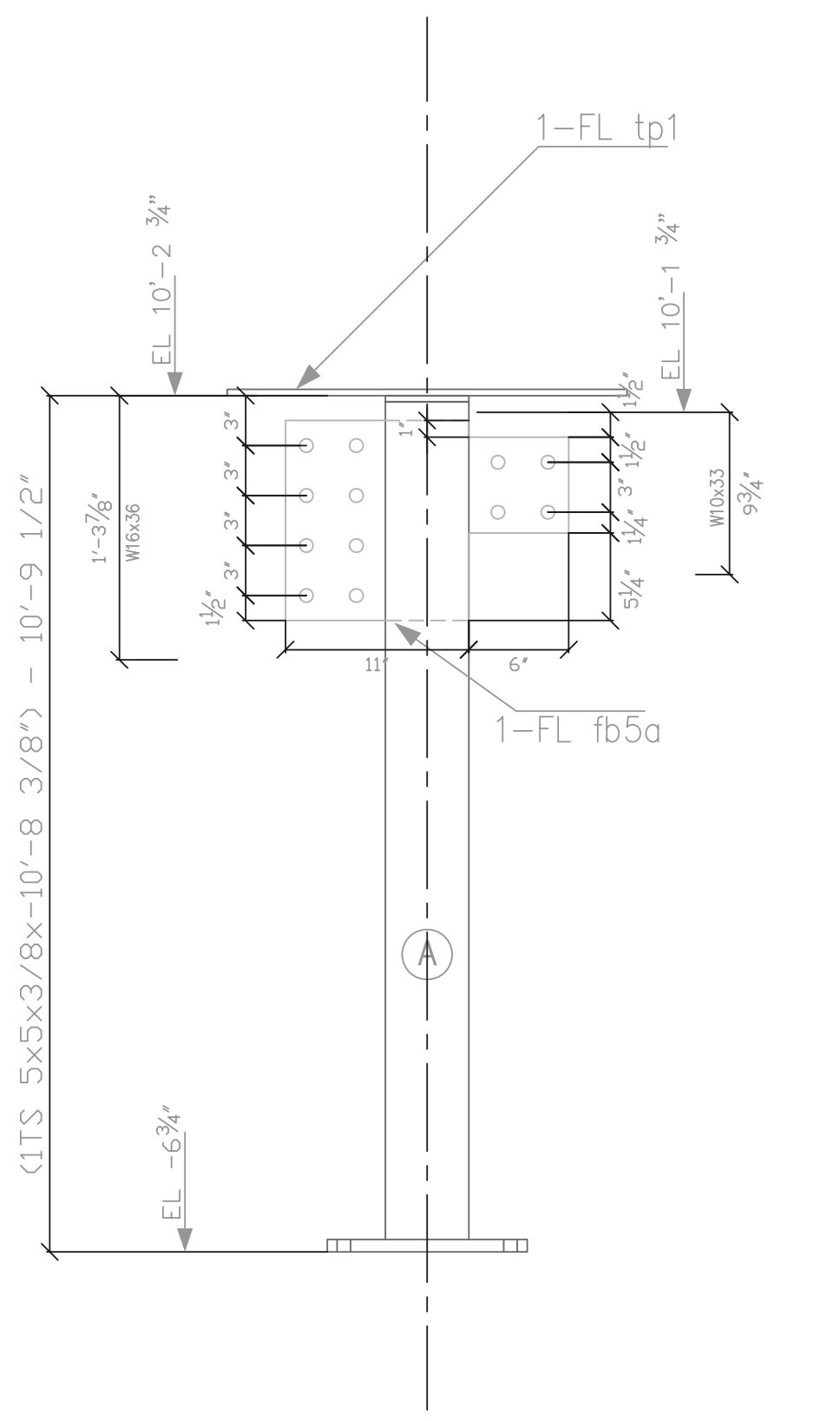
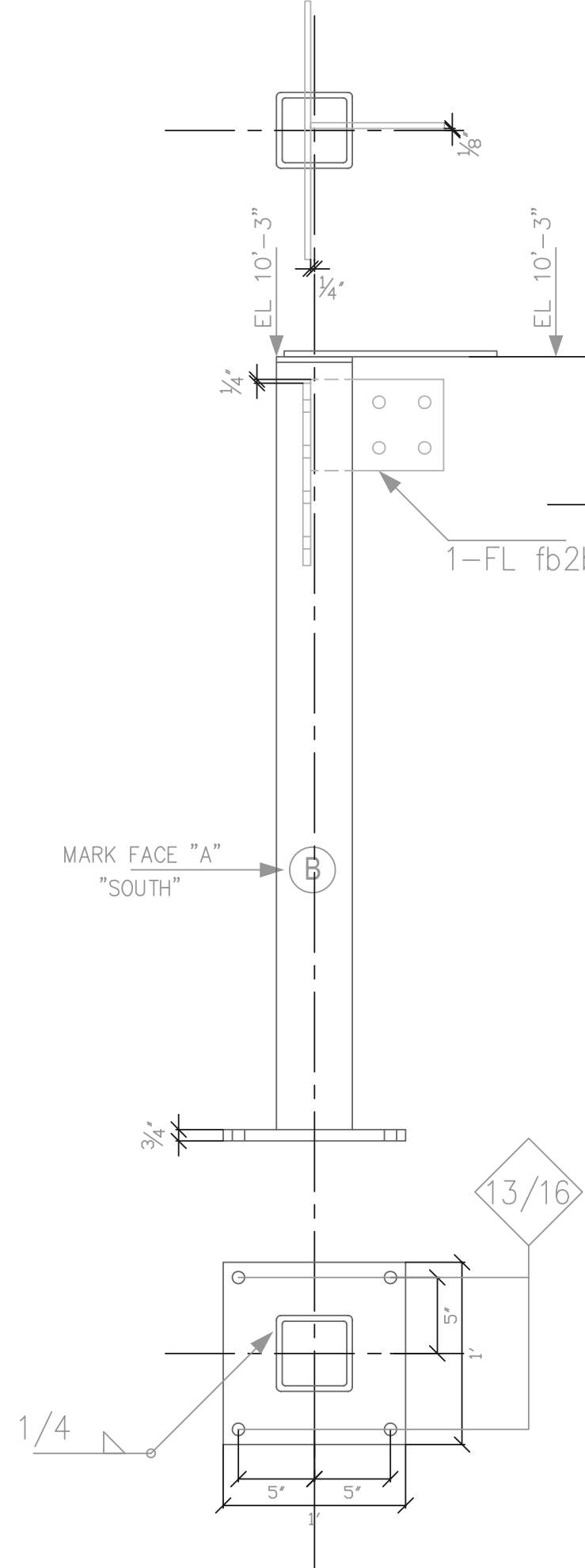
ONE COLUMN 3C2



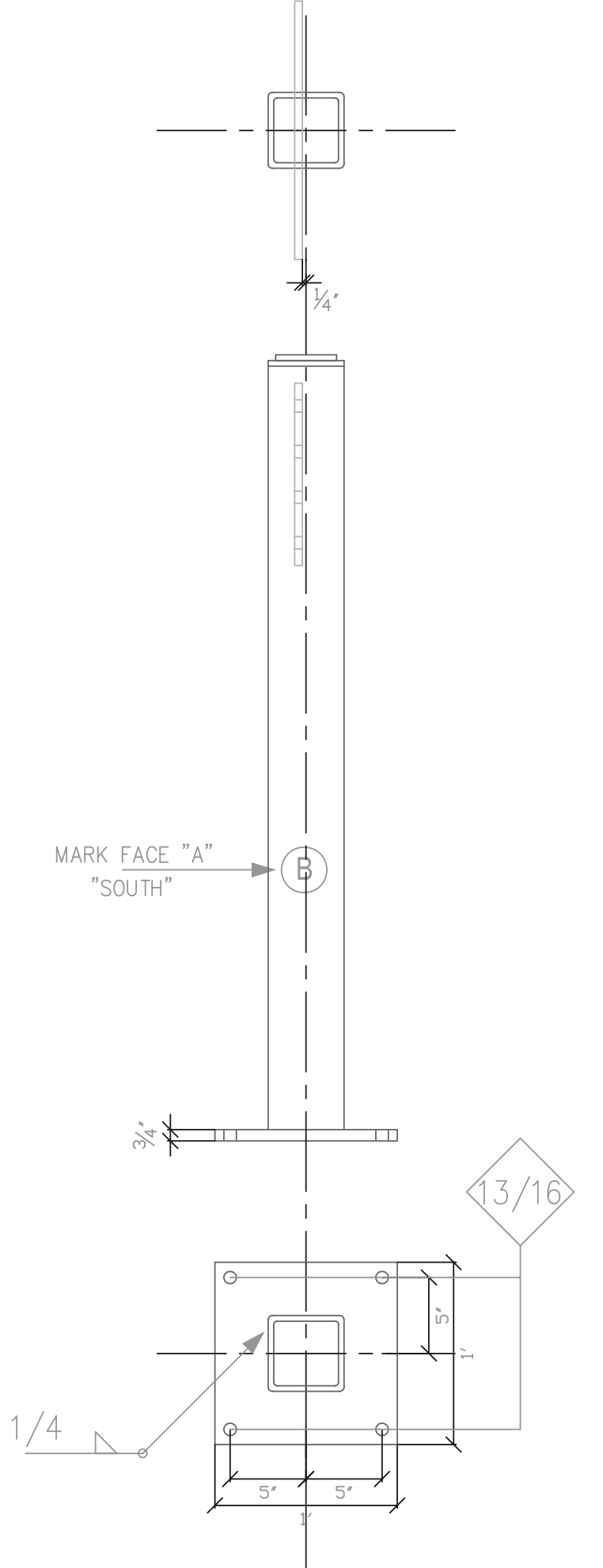
ONE COLUMN 3C2a
(OPPOSITE HAND)



ONE COLUMN 3C3



ONE COLUMN 3C4



BILL OF MATERIAL					
QTY	MARK	DESCRIPTION	LENGTH #	GR.	REMARK
1	COLUMN				
1	3C1	TS 5 x5 x3/8	10	0 1/4	
1	cp4	FL 1/2 x5	1		
1	bp1	PL 3/4 x12	1		
1	COLUMN				
1	3C2	TS 5 x5 x3/8	10	8 3/8	
1	p3	PL 1/2 x17 3/4	1	5	CUT
1	cp1	FL 3/8 x5	5		
1	tp1	PL 3/8 x4	2		
1	bp1	PL 3/4 x12	1		
1	COLUMN				
1	3C2a	TS 5 x5 x3/8	10	8 3/8	
1	p3	PL 1/2 x17 3/4	1	5	CUT
1	cp1	FL 3/8 x5	5		
1	tp1	PL 3/8 x4	2		
1	bp1	PL 3/4 x12	1		
1	COLUMN				
1	3C3	TS 5 x5 x3/8	10	8 5/8	
1	fb5	FL 3/8 x12	1	5	CUT
1	fb2b	FL 3/8 x6	8 3/4		
1	cp1	FL 3/8 x5	5		
1	tp3	PL 3/8 x4	(24x14)		T SHAPED
1	bp1	PL 3/4 x12	1		
1	COLUMN				
1	3C4	TS 5 x5 x3/8	10	8 3/8	
1	fb5	FL 3/8 x12	1	5	CUT
1	cp1	FL 3/8 x5	5		
1	tp1	PL 3/8 x4	2		
1	bp1	PL 3/4 x12	1		

PROJECT: Constellation Energy Group

PROJECT ARCHITECT: PEOPLE ARCHITECTURE - CSD

PROJECT ENGINEER:

DATE: 05-09-05

DRAWN BY: J.C.

CHECKED BY:

JOB NO. OMF-00205

DATE: 05-09-05

DETAILER: UNITY USA Inc.

Tel: (703) 286-7954

www.unity1.net - info@unity1.net

4006 Quiet Creek Drive, Fairfax, VA 22033

DO NOT SCALE DRAWINGS

SHEET NO. **M3**



UNITY USA Inc.

Tel: (703) 286-7954
www.unity1.net - info@unity1.net
4006 Quiet Creek Drive, Fairfax, VA 22033

BILL OF MATERIAL					
QTY	MARK	DESCRIPTION	LENGTH	GR.	REMARK
1	BEAM				
1	5B1	W 10 x30	13 10 3/4		TO VERIFY
1	a1	L 3 1/2 x3 1/2 x 3/8	5		
1	BEAM				
1	5B2	W 21x101	34 2		
2	a1	L 3 1/2 x3 1/2 x 3/8	5		
1	BEAM				
1	5B3	W 18x46	26 10		
2	a1	L 3 1/2 x3 1/2 x 3/8	5		
1	sp2	FL 1 1/4 x4 1/2	9 1/4		
1	BEAM				
1	5B4	W 10x26	3 7 1/16		TO VERIFY
2	a2	L 4 x4 x 3/8	6 1/2		
1	sp1	FL 1/2 x5	2		Welded connet
1	FL	1/4 x1/2	5 1/2		Backup bar
1	BEAM				
1	5B5	W 10x26	10 2 1/4		
2	a2	L 4 x4 x 3/8	6 1/2		
1	a1	L 3 1/2 x3 1/2 x 3/8	5		
1	FL	1/4 x1/2	5 1/2		Backup bar

DETAILER

DATE:

REV. DESCRIPTION

PROJECT Constellation Energy Group

PROJECT ARCHITECT : PEOPLE ARCHITECTURE - CSD

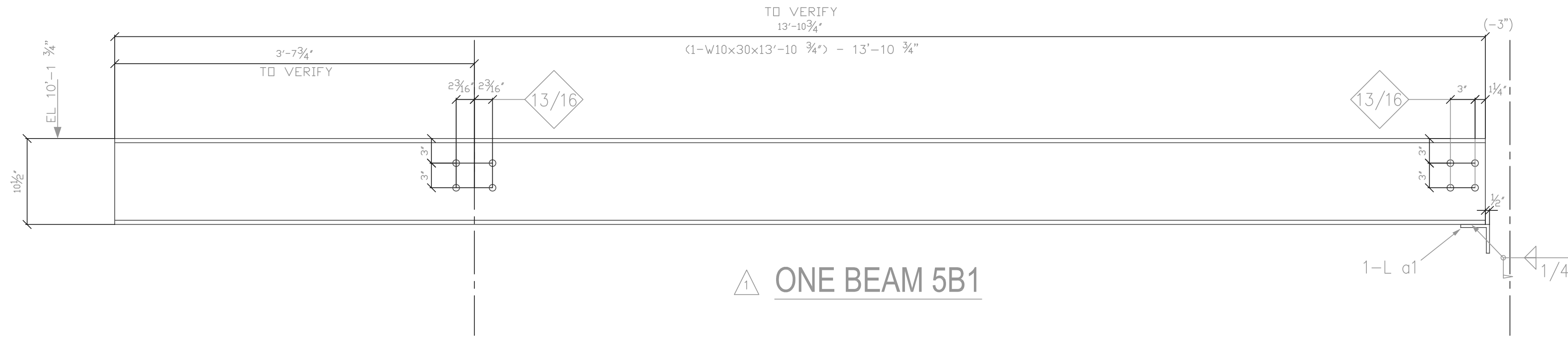
PROJECT ENGINEER :

DRAWN BY: J.C.

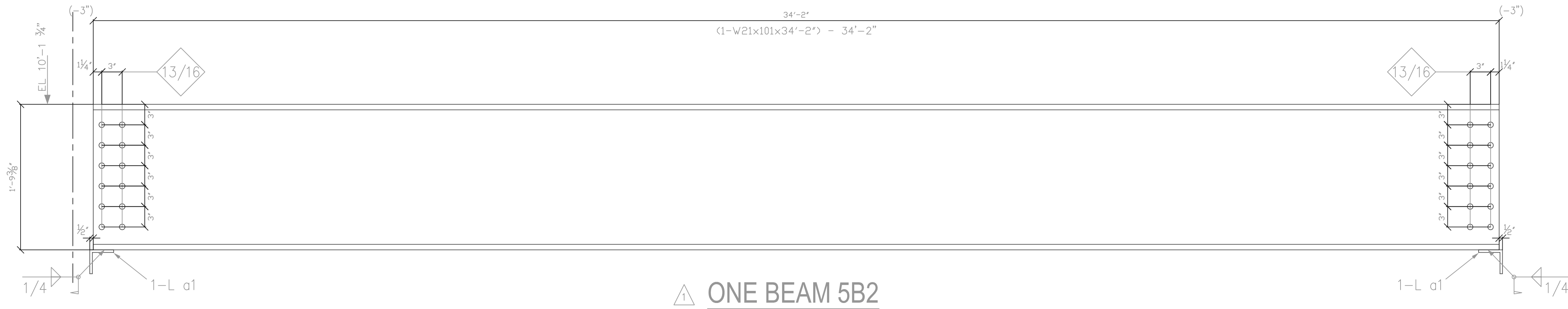
CHECKED BY:

DATE: 05-09-05

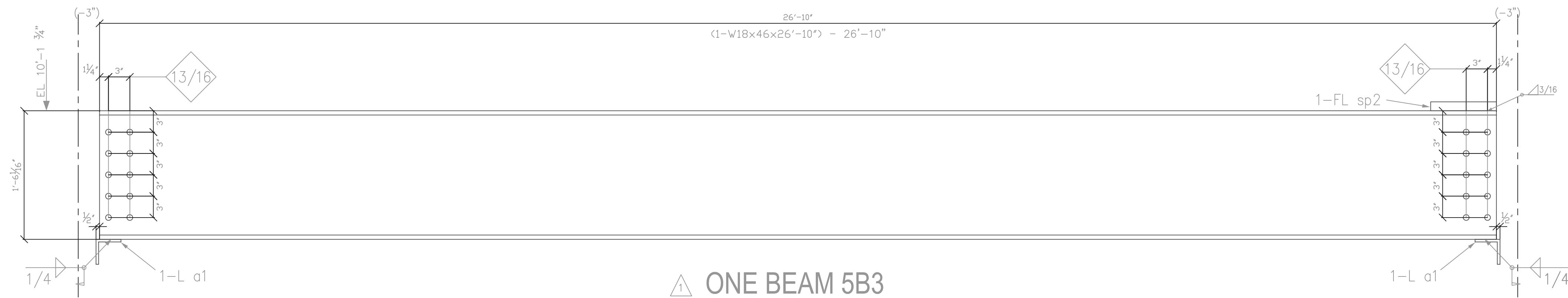
SHEET NO.



ONE BEAM 5B1



ONE BEAM 5B2



ONE BEAM 5B3

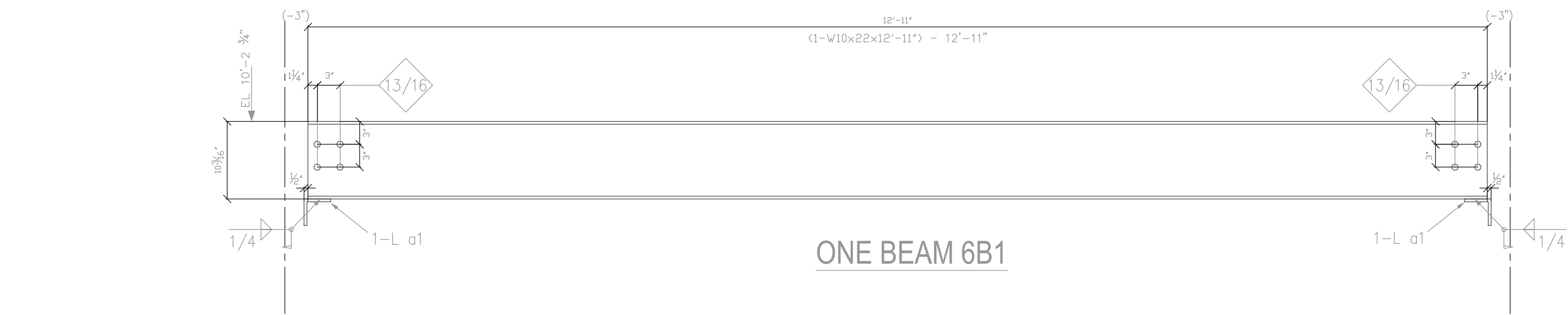


ONE BEAM 5B4

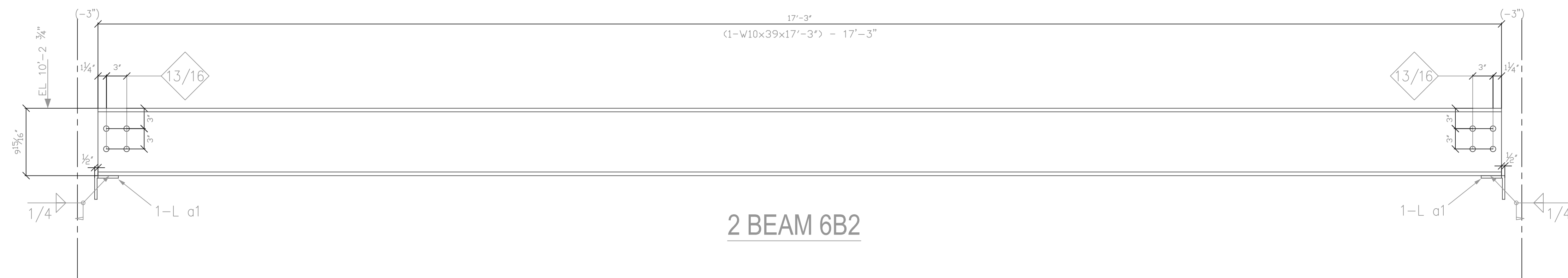
ONE BEAM 5B5

DO NOT SCALE DRAWINGS

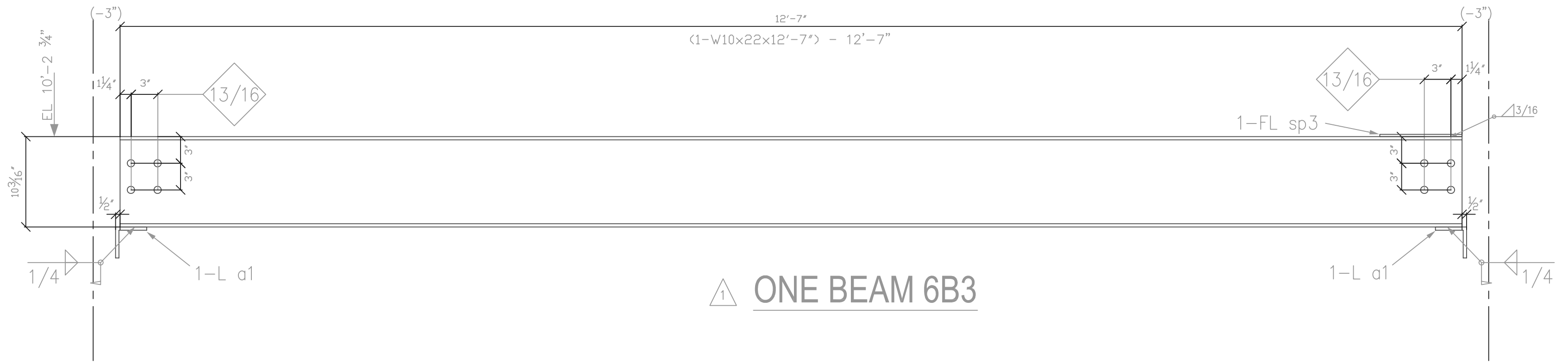
M5



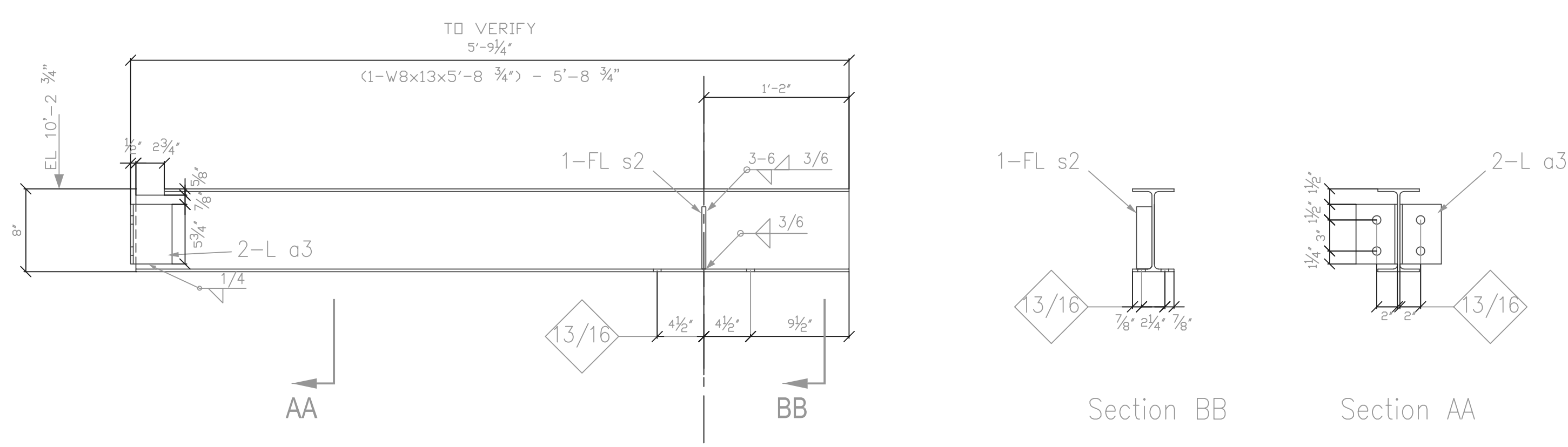
ONE BEAM 6B1



2 BEAM 6B2



ONE BEAM 6B3



ONE BEAM 6B4

BILL OF MATERIAL					
QTY	MARK	DESCRIPTION	LENGTH	GR.	REMARK
1	BEAM				
1	6B1	W 10 x22	12 11		
2	a1	L 3 1/2 x3 1/2 x 3/8	5		
2	BEAM				
2	6B2	W 10x39	17 3		
4	a1	L 3 1/2 x3 1/2 x 3/8	5		
1	BEAM				
1	6B3	W 10x22	12 7		
2	a1	L 3 1/2 x3 1/2 x 3/8	5		
1	sp3	FL 1/4 x 4 1/2	9 1/4		
1	BEAM				
1	6B4	W 8x13	5 8 3/4		
2	a3	L 4 x4 x 3/8	5 3/4		
1	s2	FL 3/8 x 1 1/2	6		

UNITY USA Inc.
 Tel: (703) 286-7954
 www.unity1.net - info@unity1.net
 4006 Quiet Creek Drive., Fairfax, VA 22033

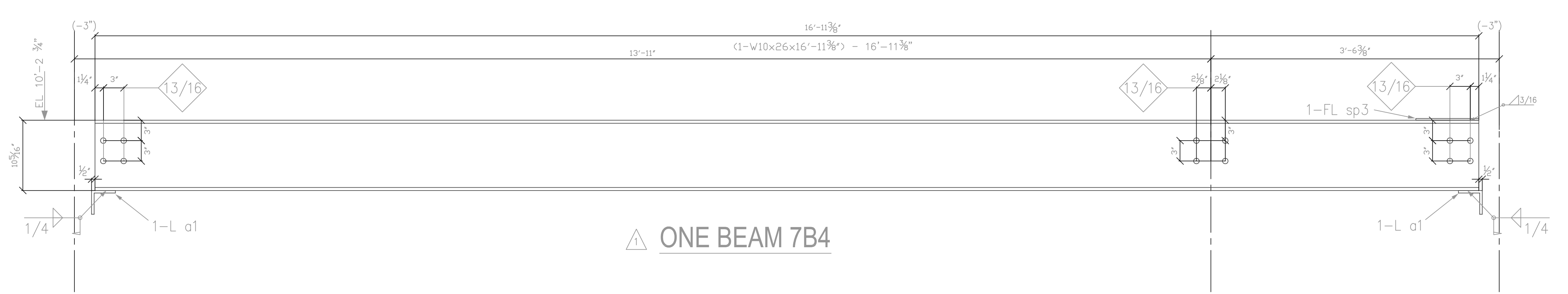
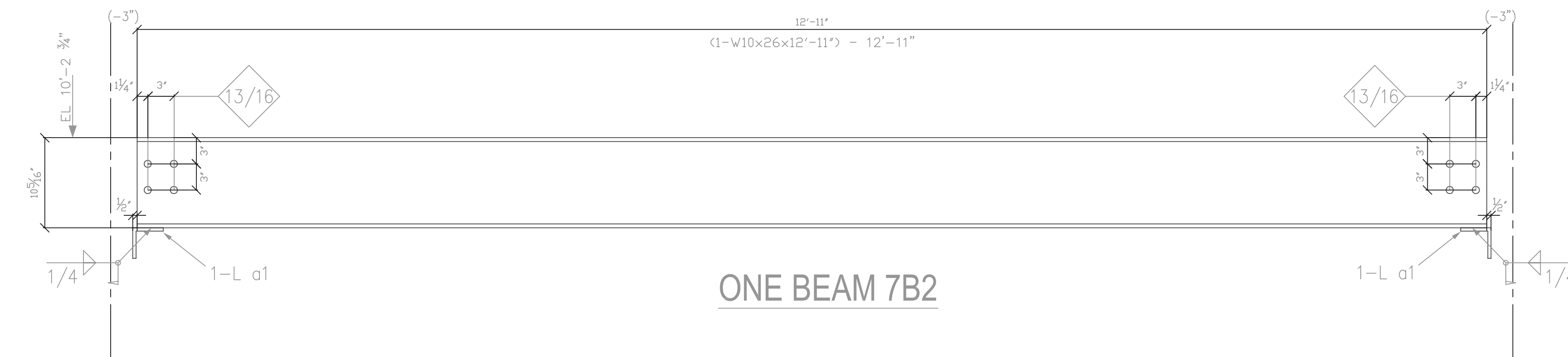
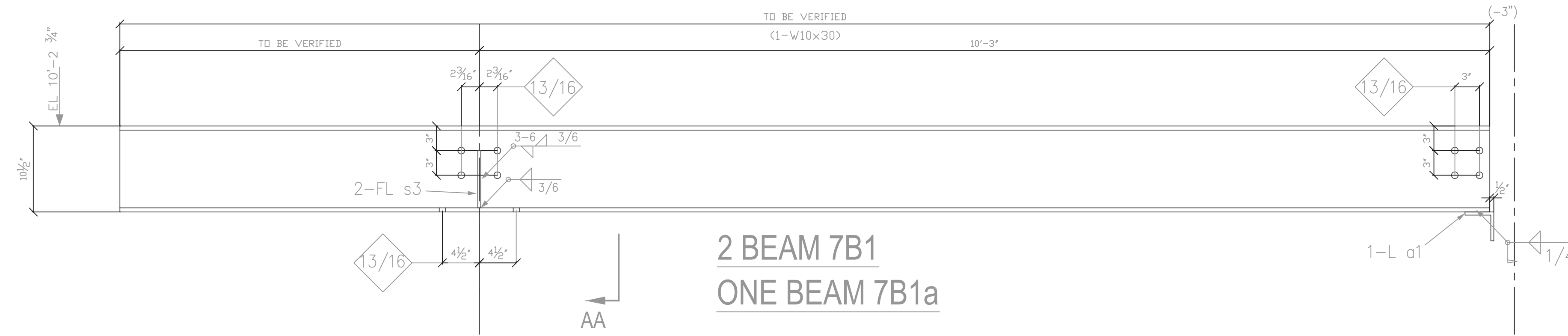
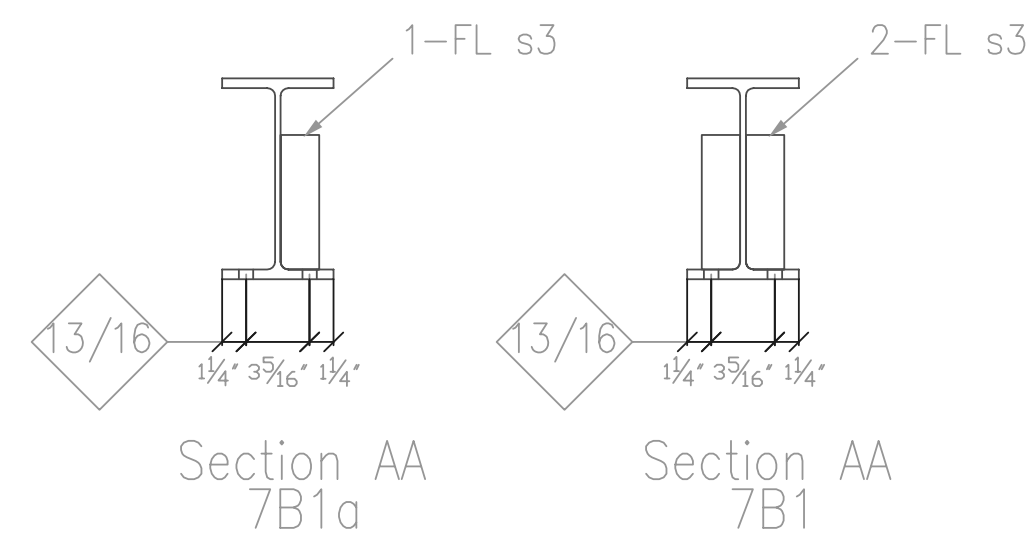
REV.	DESCRIPTION	DATE
0	Issue for approval	05-09-05
1	Modifications	05-31-05

PROJECT: Constellation Energy Group
 PROJECT ARCHITECT: PEOPLE ARCHITECTURE - CSD
 PROJECT ENGINEER:

DATE: 05-09-05
 JOB NO: OMF-0205
 DRAWN BY: J.C.
 CHECKED BY:

SHEET NO.
M6

DO NOT SCALE DRAWINGS



QTY	MARK	DESCRIPTION	LENGTH	GR.	REMARK
2	BEAM				
2	7B1	W 10 x30	VERIFY		
2	a1	L 3 1/2 x3 1/2 x 3/8	5		
4	s3	FL 3/8 x2	7		
1	BEAM				
1	7B1a	W 10 x30	13	10 3/4"	
1	a1	L 3 1/2 x3 1/2 x 3/8	5		
1	s3	FL 3/8 x2	7		
1	BEAM				
1	7B2	W 10x26	12	11	
2	a1	L 3 1/2 x3 1/2 x 3/8	5		
1	BEAM				
1	7B3	W 21x101	35		
2	a1	L 3 1/2 x3 1/2 x 3/8	5		
1	BEAM				
1	7B4	W 10x26	16	11 3/8	
2	a1	L 3 1/2 x3 1/2 x 3/8	5		
1	sp3	FL 1/4 x 4 1/2	9 1/4		


UNITY USA Inc.
 Tel: (703) 286-7954
 www.unity1.net - info@unity1.net
 4006 Quiet Creek Drive., Fairfax, VA 22033

Constellation Energy Group
 PROJECT ARCHITECT : PEOPLE ARCHITECTURE - CSD
 PROJECT ENGINEER :

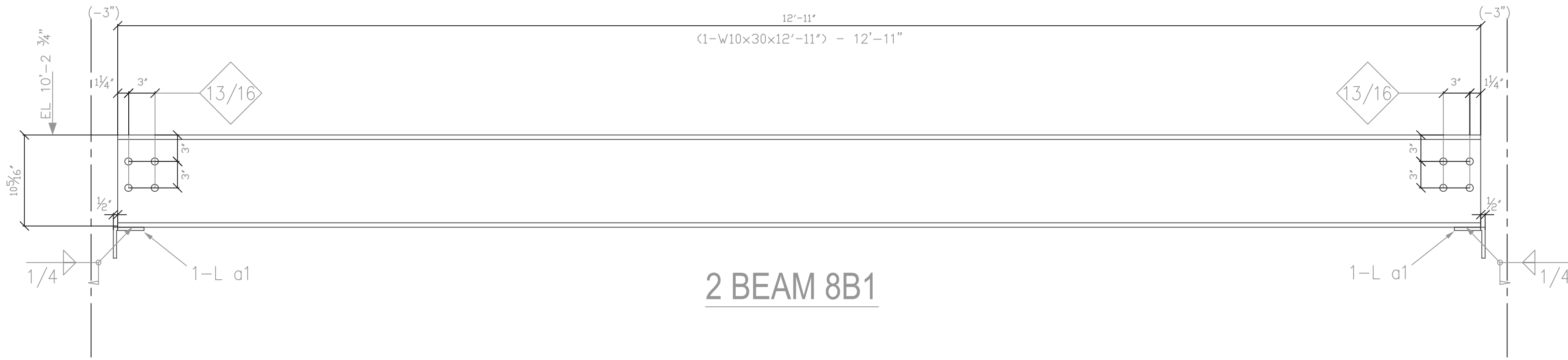
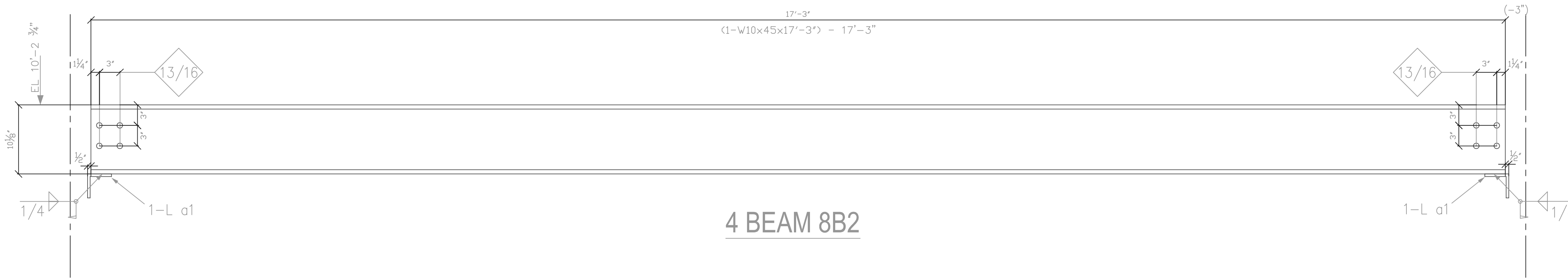
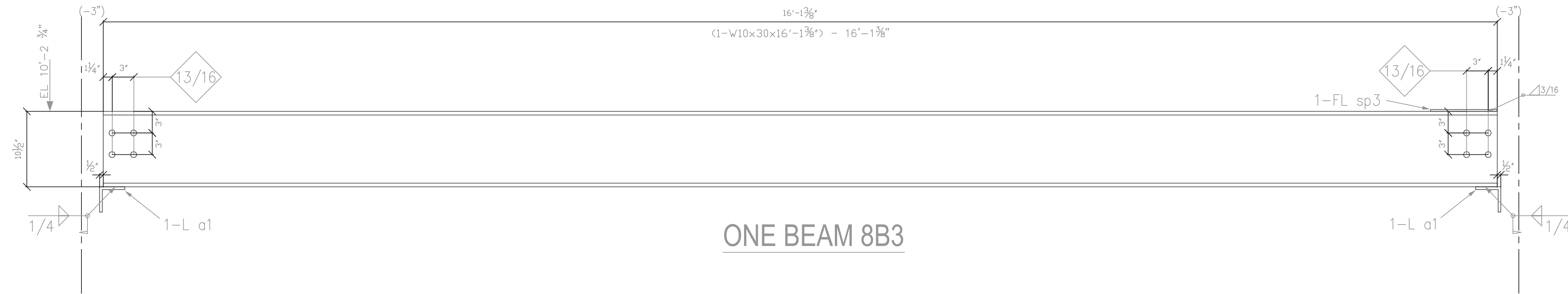
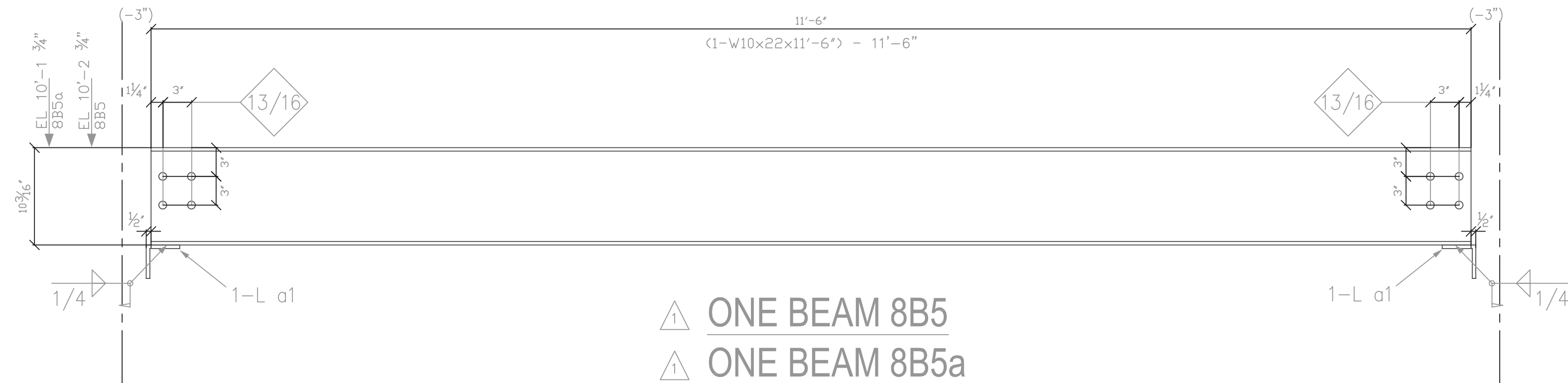
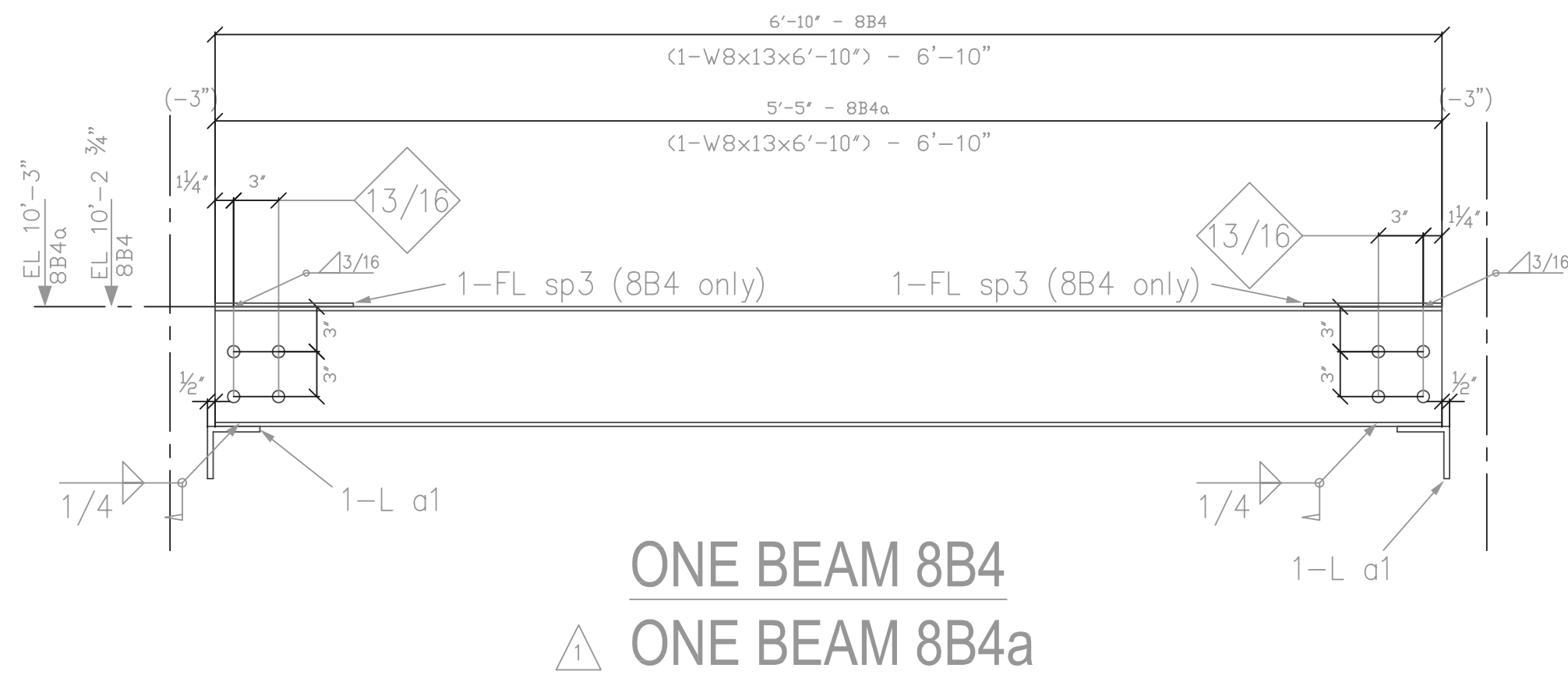
DATE: 05-09-05
 REV. DESCRIPTION: Issue for approval
 0
 1 Modifications

DRAWN BY: J.C.
 CHECKED BY:

JOB NO. OMF-0205
 DATE: 05-09-05

SHEET NO. **M7**

DO NOT SCALE DRAWINGS



QTY	MARK	DESCRIPTION	LENGTH	GR.	REMARK
2	BEAM				
2	BB1	W 10 x30	12 11		
4	a1	L 3 1/2 x3 1/2 x 3/8	5		
4	BEAM				
4	BB2	W 10 x45	17 3		
8	a1	L 3 1/2 x3 1/2 x 3/8	5		
1	BEAM				
1	BB3	W 10x30	16 1 3/8		
2	a1	L 3 1/2 x3 1/2 x 3/8	5		
1	sp3	FL 1/4 x 4 1/2	9 1/4		
1	BEAM				
1	BB4	W 8x13	6 10		
2	a1	L 3 1/2 x3 1/2 x 3/8	5		
2	sp3	FL 1/4 x 4 1/2	9 1/4		
1	BEAM				
1	BB4a	W 8x13	5 5		
2	a1	L 3 1/2 x3 1/2 x 3/8	5		
1	BEAM				
1	BB5	W 10x22	11 6		
2	a1	L 3 1/2 x3 1/2 x 3/8	5		
1	BEAM				
1	BB5a	W 10x22	11 6		
2	a1	L 3 1/2 x3 1/2 x 3/8	5		

PROJECT: Constellation Energy Group
 PROJECT ARCHITECT: PEOPLE ARCHITECTURE - CSD
 PROJECT ENGINEER:
 DATE: 05-09-05
 DRAWN BY: J.C.
 CHECKED BY:
 JOB NO. OMF-00205
 SHEET NO. **M8**

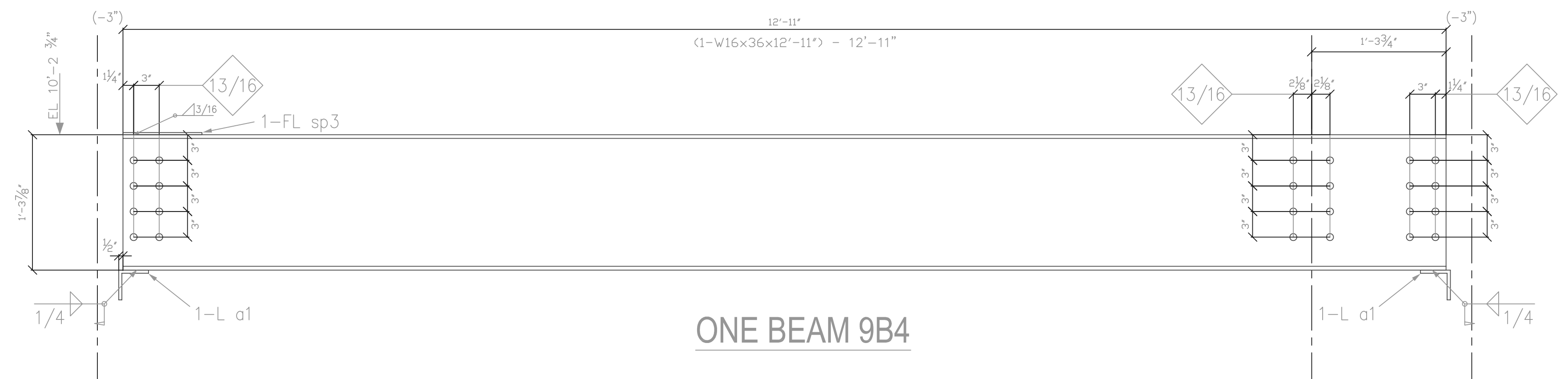
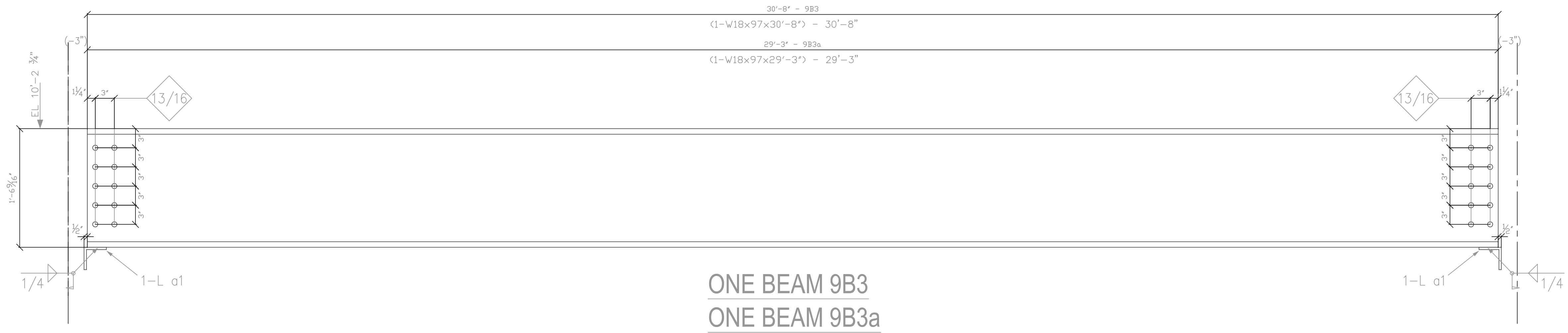
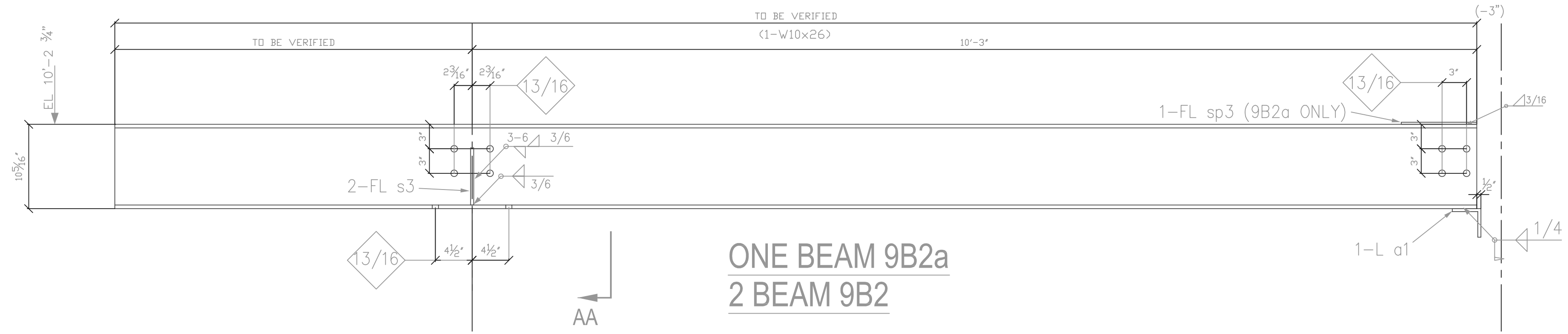
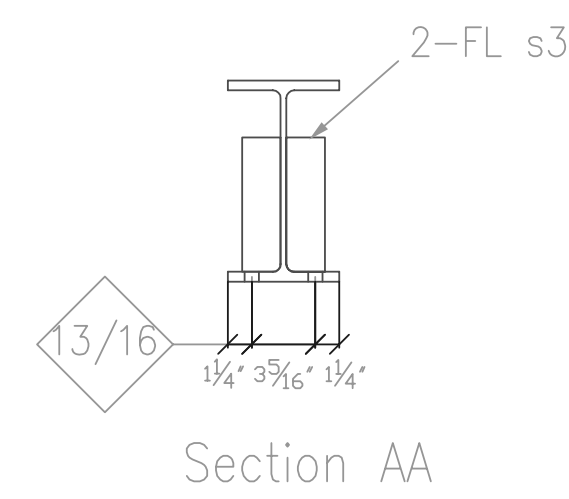
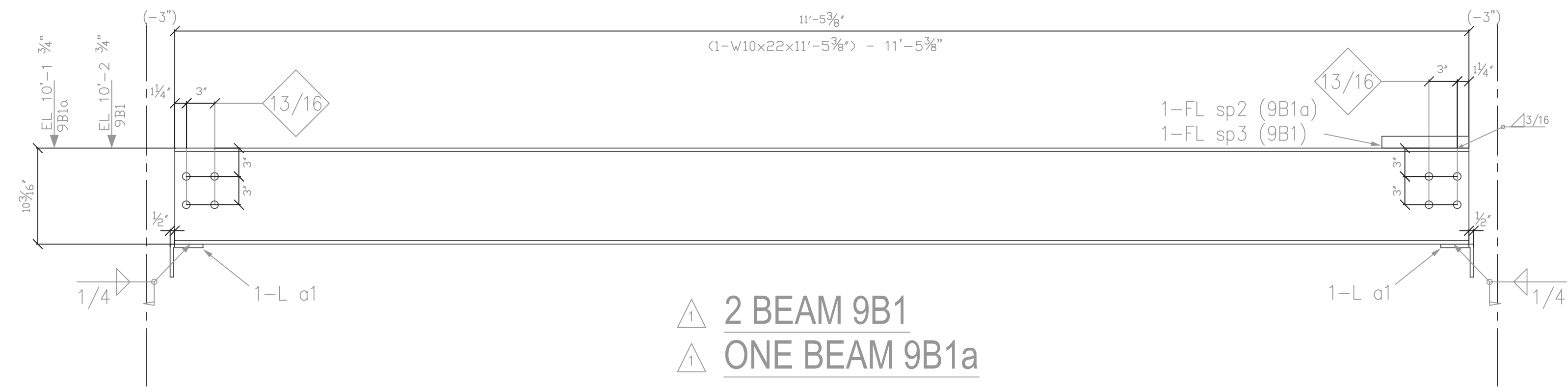
UNITY USA Inc.
 Tel: (703) 286-7954
 www.unity1.net - info@unity1.net
 4006 Quiet Creek Drive., Fairfax, VA 22033

DO NOT SCALE DRAWINGS

DETAILER

DATE: 05-09-05

REV. DESCRIPTION
 0 Issue for approval
 1 Modifications



BILL OF MATERIAL					
QTY	MARK	DESCRIPTION	LENGTH	GR.	REMARK
2	BEAM				
2	9B1	W 10 x22	11	5	3/8
3	a1	L 3 1/2 x 1/2 x 3/8	5		
2	sp3	FL 1/4 x 4 1/2	9	1/4	
1	BEAM				
1	9B1a	W 10 x22	11	5	3/8
2	a1	L 3 1/2 x 1/2 x 3/8	5		
1	sp2	FL 1 1/4 x 4 1/2	9	1/4	
2	BEAM				
2	9B2	W 10 x26			VERIFY
2	a1	L 3 1/2 x 1/2 x 3/8	5		
4	s3	FL 3/8 x2	7		
1	BEAM				
1	9B2a	W 10 x26			VERIFY
1	a1	L 3 1/2 x 1/2 x 3/8	5		
2	s3	FL 3/8 x2	7		
1	sp3	FL 1/4 x 4 1/2	9	1/4	
1	BEAM				
1	9B3	W 18x97	30	8	
2	a1	L 3 1/2 x 1/2 x 3/8	5		
1	BEAM				
1	9B3a	W 18x97	29	3	
2	a1	L 3 1/2 x 1/2 x 3/8	5		
1	BEAM				
1	9B4	W 16x36	12	11	
2	a1	L 3 1/2 x 1/2 x 3/8	5		
1	sp3	FL 1/4 x 4 1/2	9	1/4	

Constellation Energy Group

PROJECT ARCHITECT : PEOPLE ARCHITECTURE - CSD
PROJECT ENGINEER :

DATE: 05-09-05
DRAWN BY: J.C.
CHECKED BY:

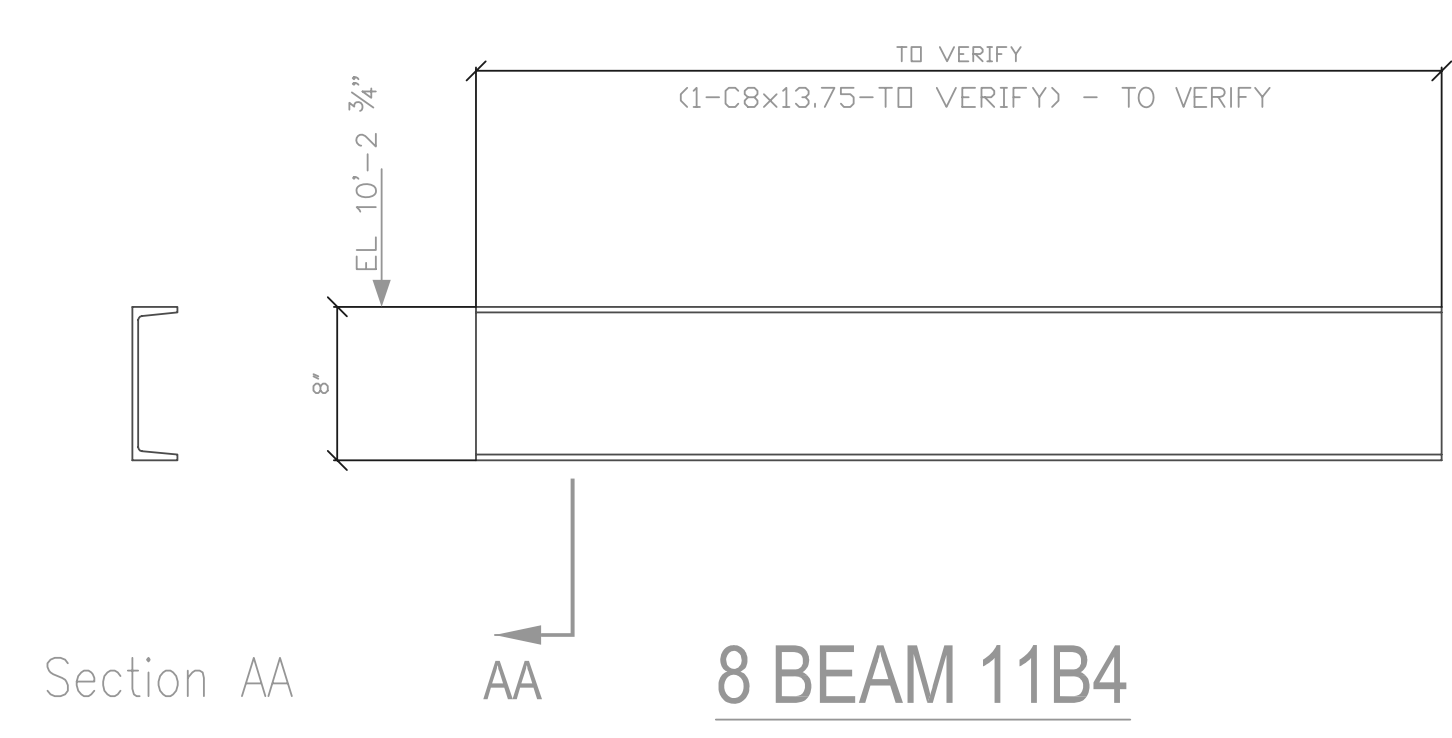
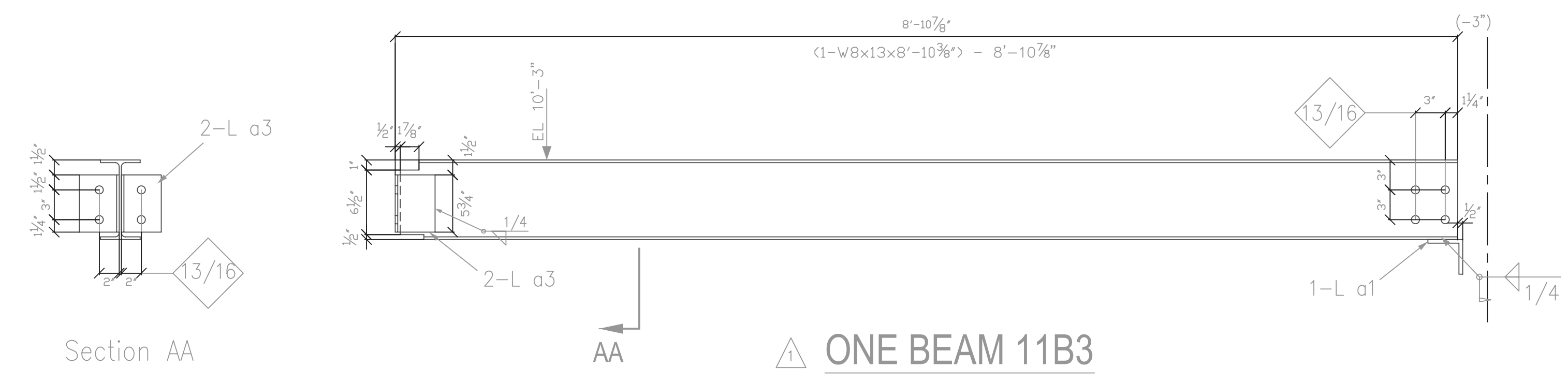
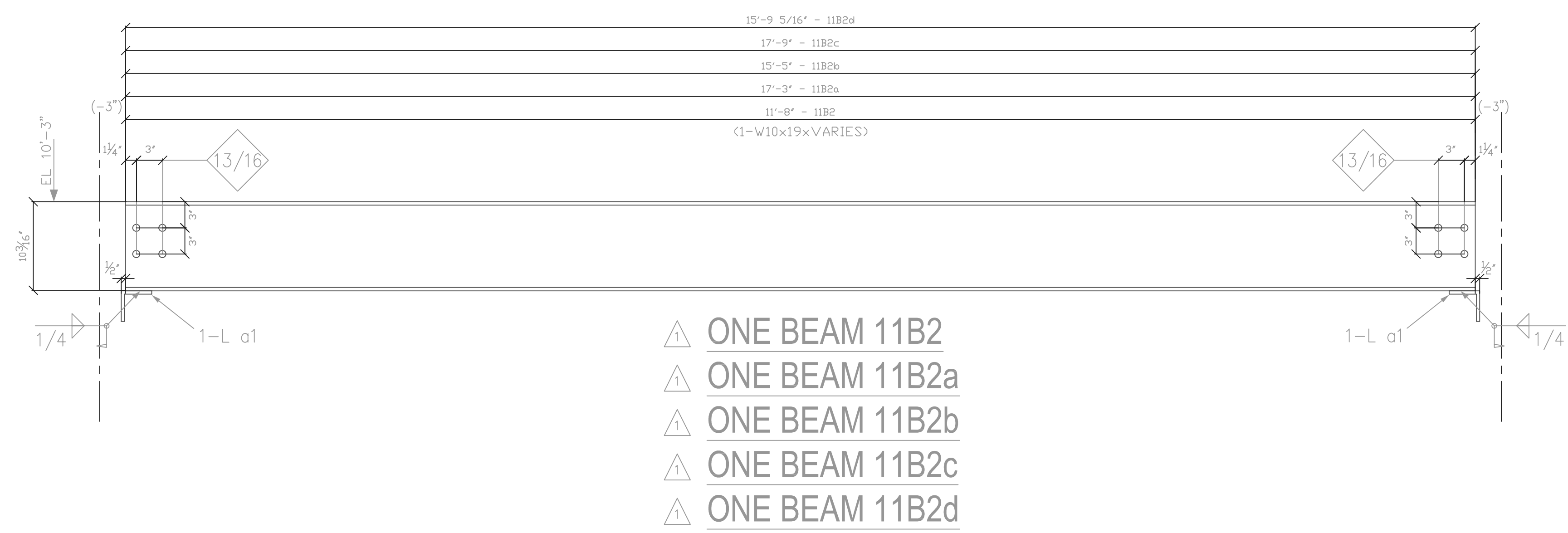
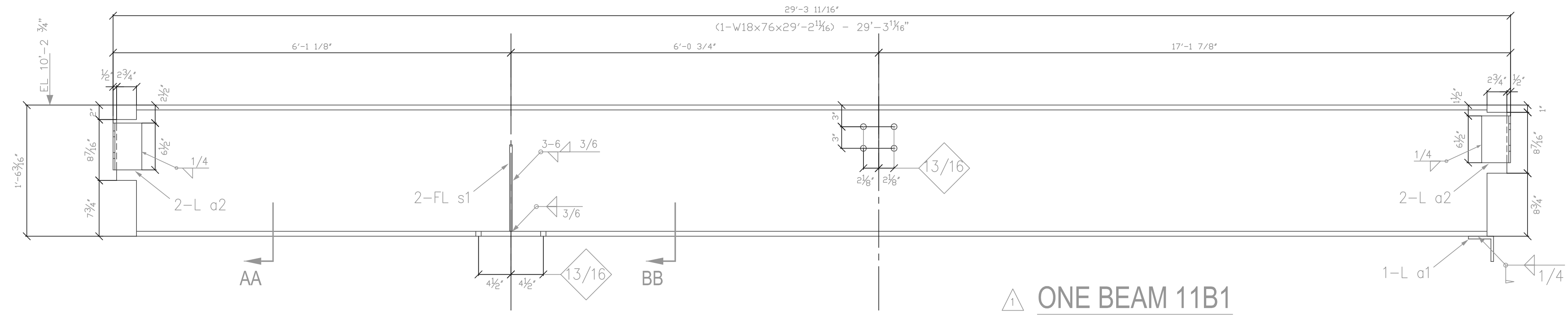
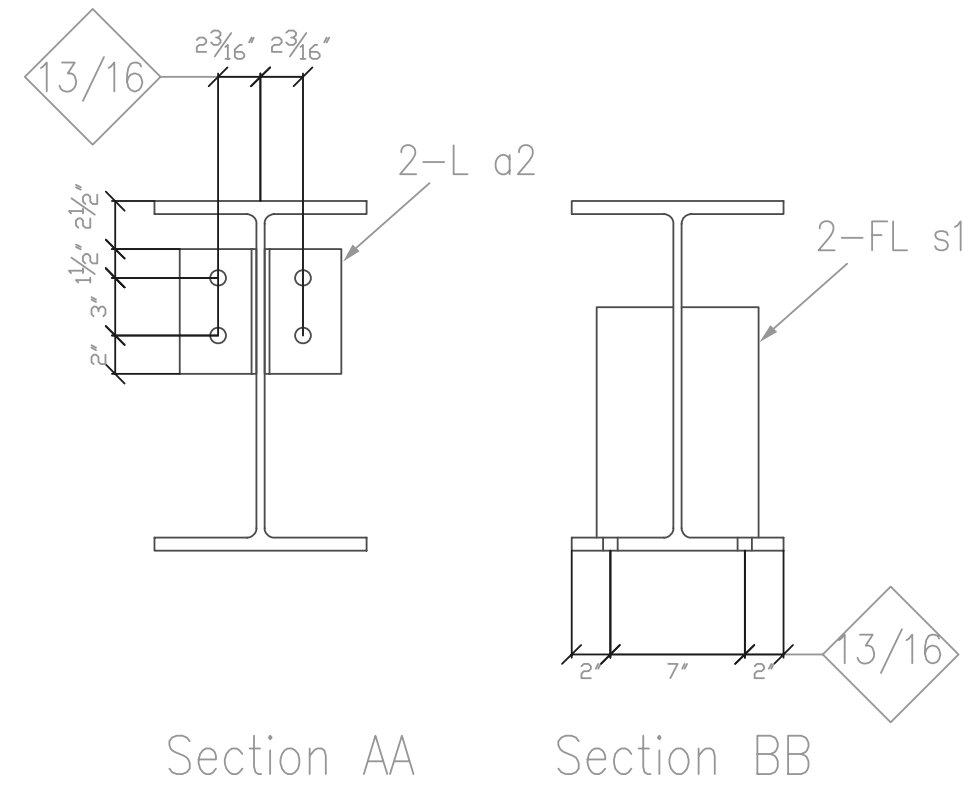
DATE: 05-09-05
JOB NO. OMF-00205

REVISIONS:
0 Issue for approval
1 Modifications

DATE: 05-09-05
05-31-05

DETAILER

UNITY USA Inc.
Tel: (703) 286-7954
www.unity1.net - info@unity1.net
4006 Quiet Creek Drive., Fairfax, VA 22033



BILL OF MATERIAL					
QTY	MARK	DESCRIPTION	LENGTH		REMARK
			ft	in	
1	BEAM				
1	11B1	W 18x55	29	2 11/16	
4	a2	L 4 x4 x3/8	6	1/2	
2	s1	FL 3/8 x4	1		
1	a1	L 3 1/2 x3 1/2 x 3/8	5		
1	BEAM				
1	11B2	W 10x19	11	8	
2	a1	L 3 1/2 x3 1/2 x 3/8	5		
1	BEAM				
1	11B2a	W 10x19	17	3	
2	a1	L 3 1/2 x3 1/2 x 3/8	5		
1	BEAM				
1	11B2b	W 10x19	15	5	
2	a1	L 3 1/2 x3 1/2 x 3/8	5		
1	BEAM				
1	11B2c	W 10x19	17	9	
2	a1	L 3 1/2 x3 1/2 x 3/8	5		
1	BEAM				
1	11B2d	W 10x19	15	9 5/16	
2	a1	L 3 1/2 x3 1/2 x 3/8	5		
1	BEAM				
1	11B3	W 8x13	8	10 3/8	
2	a3	L 4 x4 x3/8	5	3/4	
1	a1	L 3 1/2 x3 1/2 x 3/8	5		
8	BEAM				
8	11B4	C 8x13.75	0	00	TO VERIFY

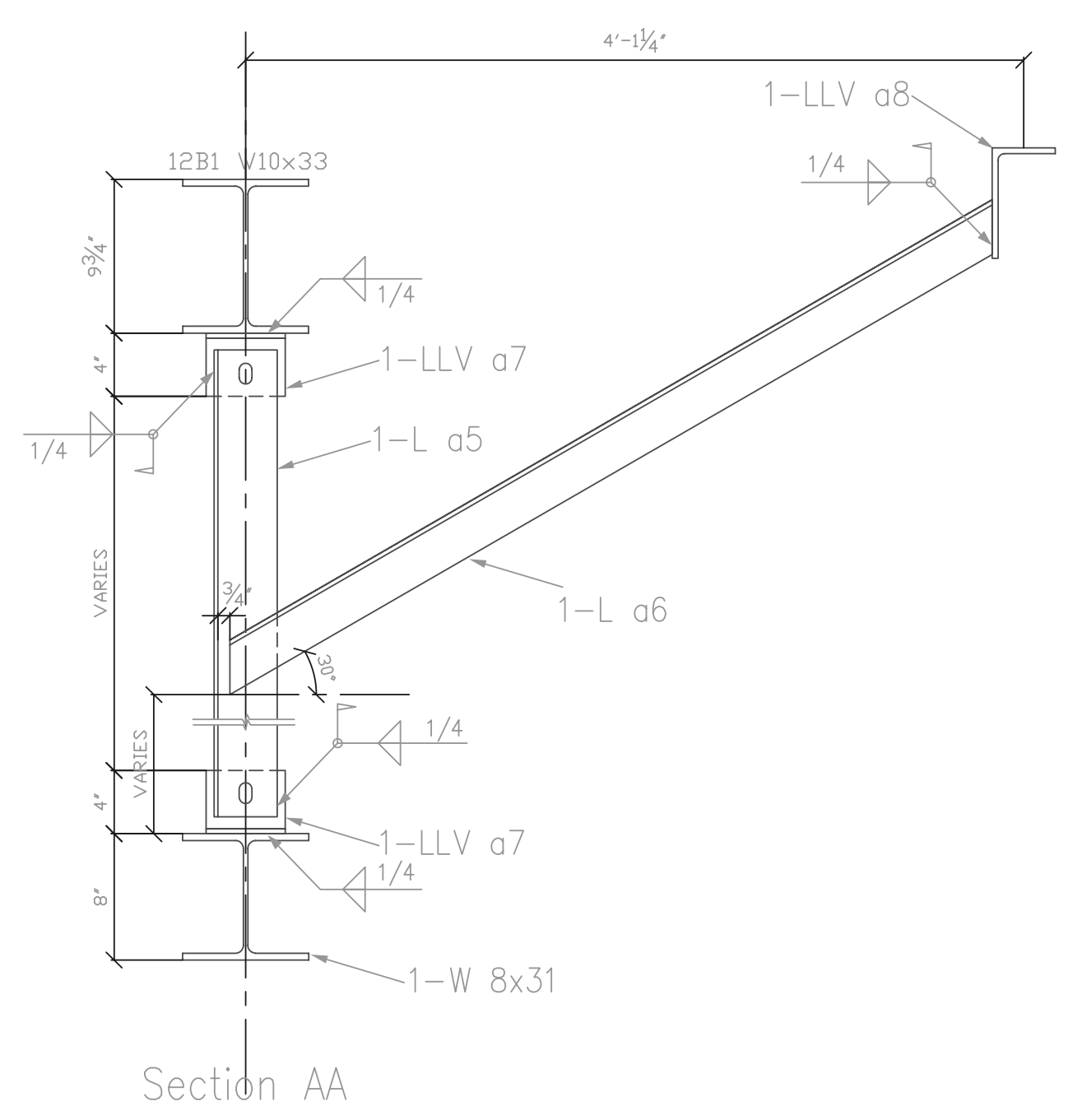
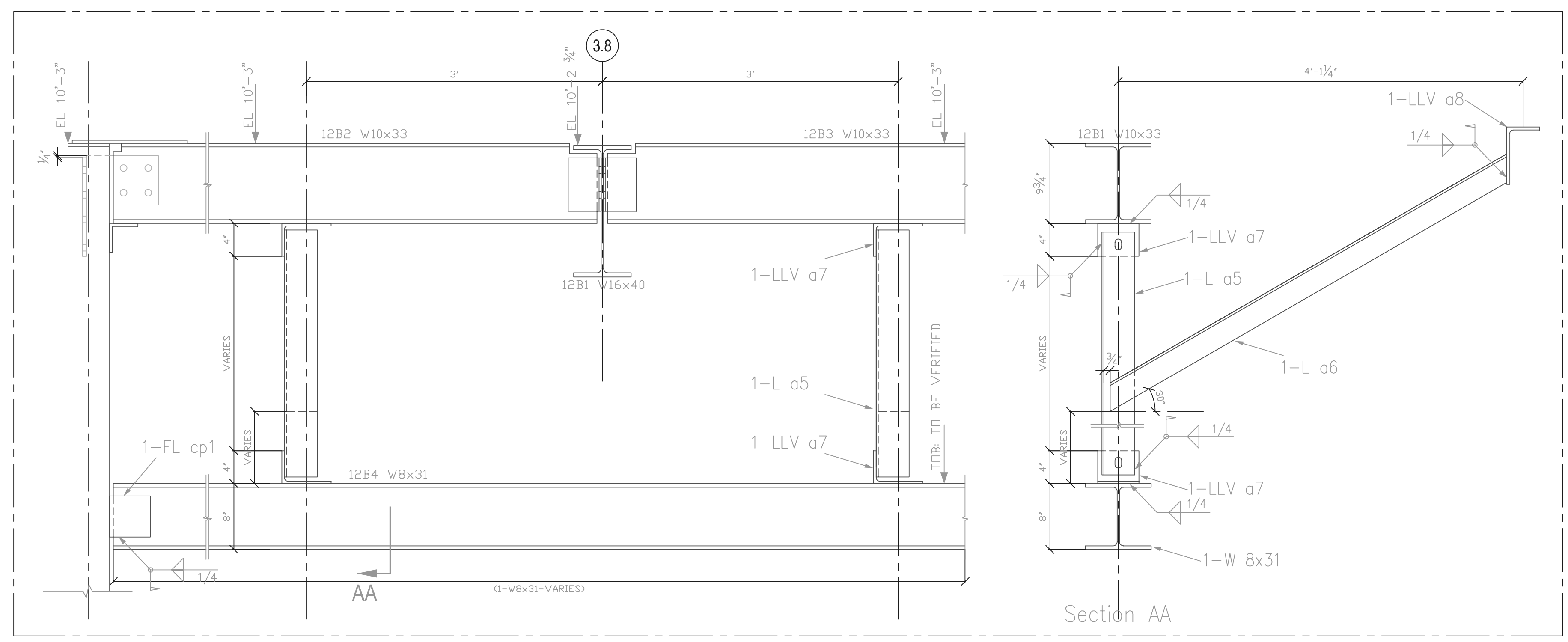
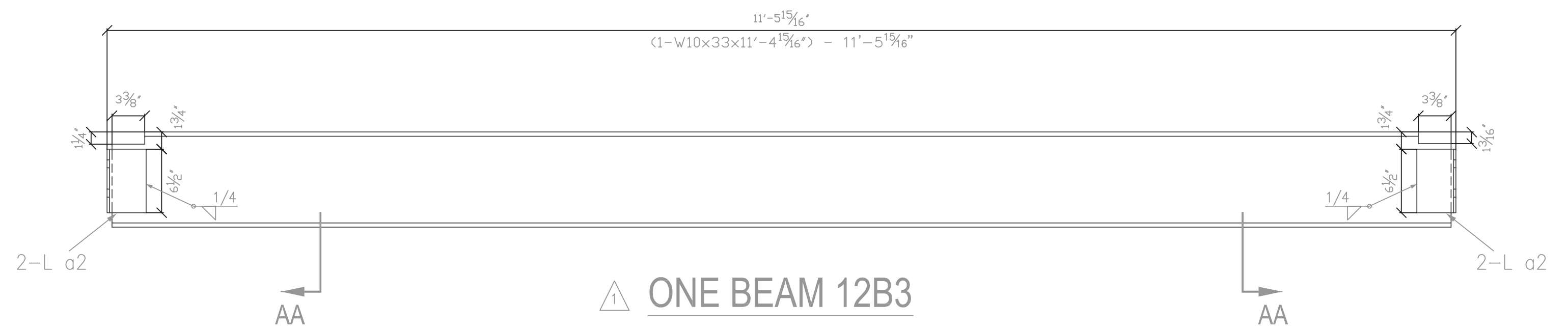
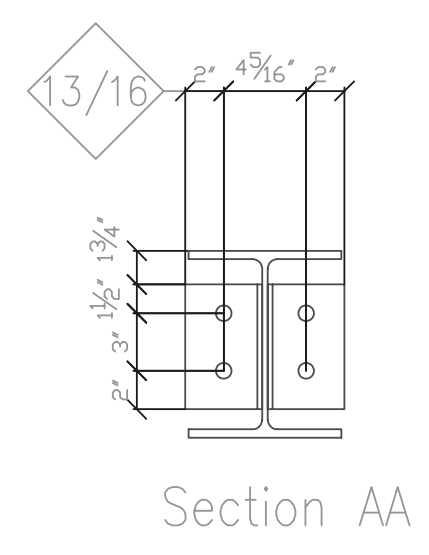
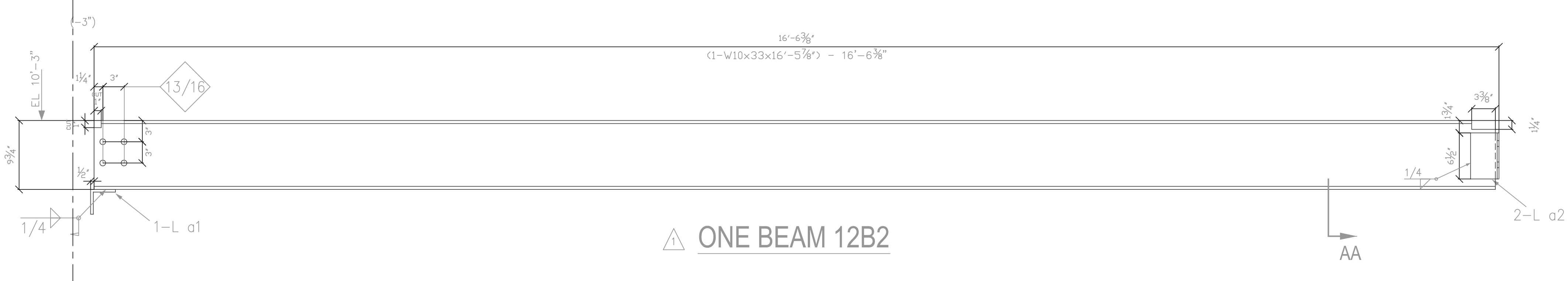
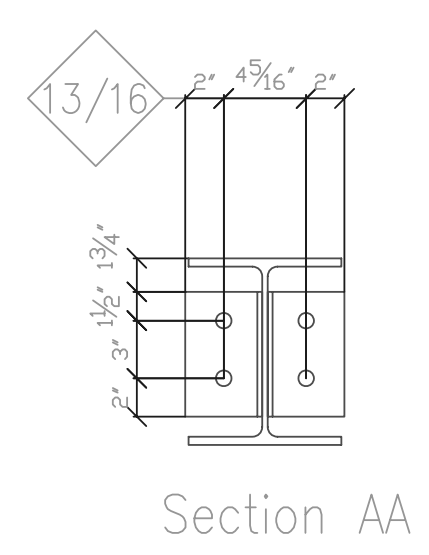
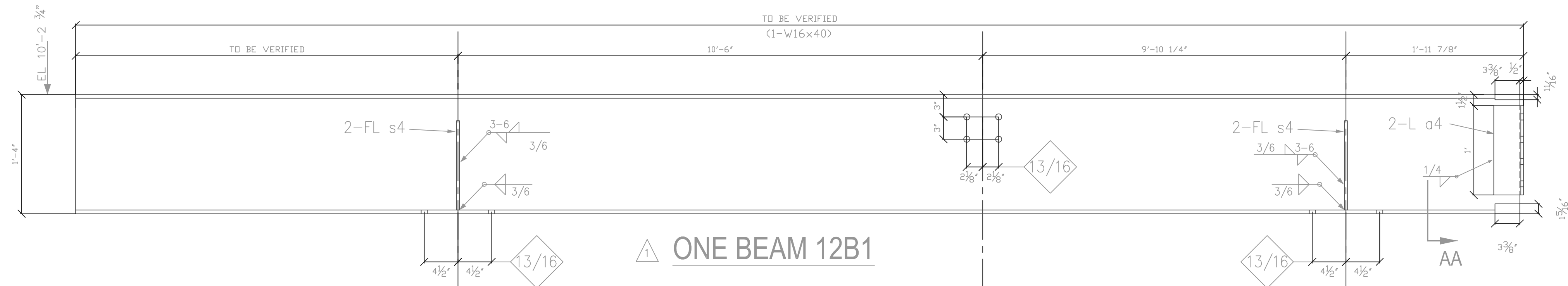
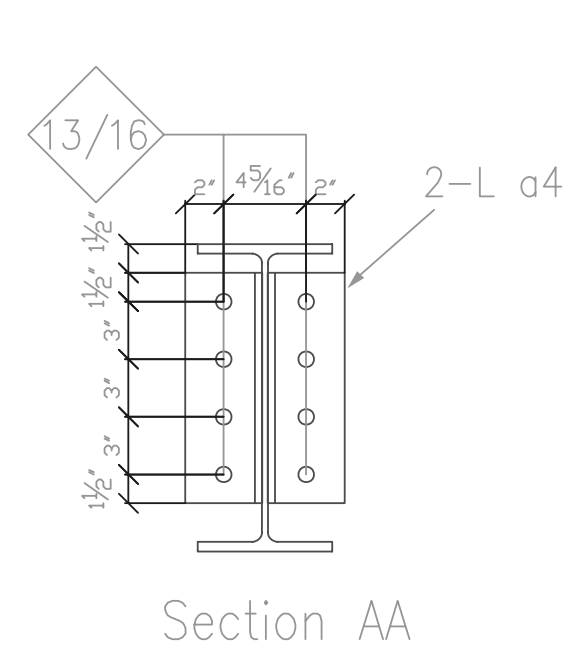

UNITY USA Inc.
 Tel: (703) 286-7954
 www.unity1.net - info@unity1.net
 4006 Quiet Creek Drive, Fairfax, VA 22033

PROJECT: **Constellation Energy Group**
 PROJECT ARCHITECT: **PEOPLE ARCHITECTURE - CSD**
 PROJECT ENGINEER:

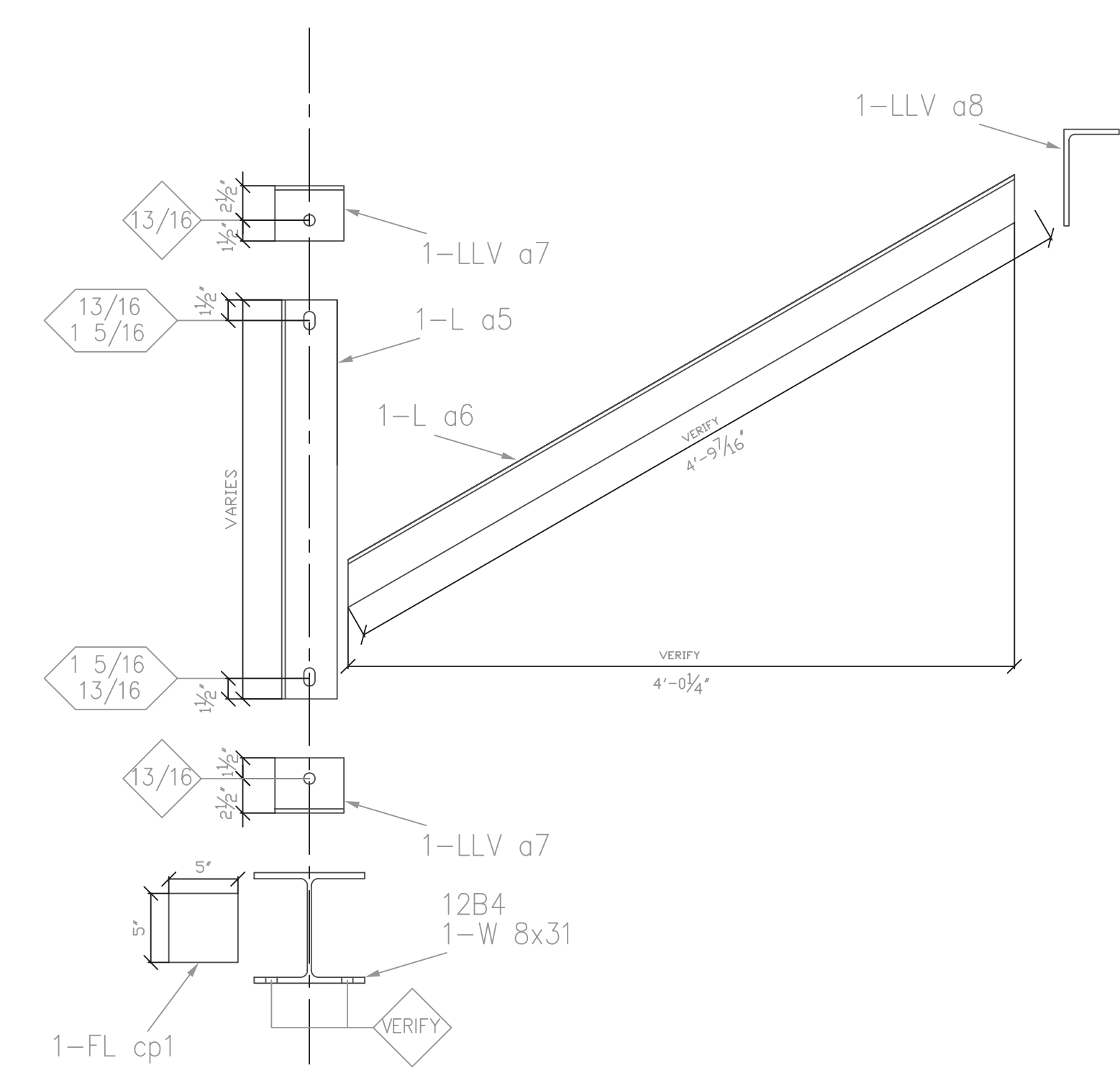
DATE: 05-09-05
 DRAWN BY: J.C.
 JOB NO: OMF-00205
 CHECKED BY:

SHEET NO. **M11**

DO NOT SCALE DRAWINGS



1 FOLDING PARTITION DETAIL
M12



BILL OF MATERIAL					
QTY	MARK	DESCRIPTION	LENGTH	GR.	REMARK
1	12B1	W 16x40			VERIFY
2	a4	L 4 x4 x3/8	1		
4	s4	FL 3/8 x2 1/4	1		
1	12B2	W 10x33	16	5	7/8
2	a2	L 4 x4 x3/8	6	1	1/2
1	a1	L 3 1/2 x3 1/2 x3/8	5		
1	12B3	W 10x33	11	4	15/16
4	a2	L 4 x4 x3/8	6	1	1/2
FOLDING PARTITION DETAIL					
1	12B4	W 8x31			VERIFY
5	a5	L 4 x4 x1/4			VERIFY
5	a6	L 3 x3 x1/4	4	9	7/16
10	a7	LLV 6 x4 x5/16	5		
5	a8	LLV 7 x4 x3/8	6		
1	cp1	FL 3/8 x5	5		


UNITY USA Inc.
 Tel: (703) 286-7954
 www.unity1.net - info@unity1.net
 4006 Quiet Creek Drive., Fairfax, VA 22033

Constellation Energy Group
 PROJECT ARCHITECT : PEOPLE ARCHITECTURE - CSD
 PROJECT ENGINEER :

DATE: 05-09-05
 Issue for approval
 Modifications

DRAWN BY: J.C.
 CHECKED BY:

JOB NO. OMF-0205
 DATE: 05-09-05

SHEET NO. **M12**

DO NOT SCALE DRAWINGS